

Troubleshooting

The load will not switch on with the CEPH RE

- The manual wall switch must be turned off for about 5 seconds and back on again to reset the photocell.

The load switches on and off every minute with the CEPH NO

- Too much artificial light is entering the photocell.

The load switches off after a minute with the CEPH RE

- Too much artificial light is entering the photocell.

The lights switch on too early, when it is light enough in the room

- Rotate the LUX adjuster further clockwise, towards '-'.¹

The lights switch on too late, when it is already dark in the room

- Rotate the LUX adjuster further anti-clockwise, towards '+'.¹

Precautions and Warranty

This product conforms to BS EN 60669-2-1.

Please ensure the most recent edition of the appropriate local wiring regulations are observed and suitable protection is provided e.g. 6 amps over current, 1kV over voltage. Please ensure that this device is disconnected from the supply if an insulation test is made.

This product is covered by a warranty which extends to 5 years from the date of manufacture.

Products available from DANLERS

- PIR occupancy switches • Daylight linked dimmers • Manual high frequency dimmers
- Photocells • Radio remote controls • Time lag switches • Outdoor security switches
- Dimmers • Heating, ventilation and air-conditioning controls • Bespoke / O.E.M. products

Please call for more information or a free catalogue, or visit our website.

DANLERS Limited, Vincients Road, CHIPPENHAM, Wiltshire, SN14 6NQ, UK.
Telephone: +44 (0)1249 443377 Fax: +44 (0)1249 443388
E-mail: sales@danlers.co.uk Web: www.danlers.co.uk
Company Registered Number 2570169 VAT Registration Number 543 5491 38



DANLERS

Installation notes

Ceiling socket mounted photocell switches

CEPH NO

CEPH RE

DANLERS ceiling socket mounting photocell switches can be plugged into a Klik-AX lighting socket (DANLERS order codes: CESO or CESO SQ (diagram A).

When the ambient light level falls below the LUX threshold the photocell will switch the connected load on. It will switch the lights off again when the light level raises to approximately twice the LUX threshold, to avoid the possibility of 'hunting'.

The LUX threshold can be set by the user to between approximately 100 and 1000 lux at the work surface by the LUX adjuster (diagram B). There is also an infinite lux setting where the lights will be switched on constantly.

There is a time delay of approximately a minute before switching actually occurs, to avoid nuisance short term switching caused by a passing cloud etc. A small red LED changes state as soon as the LUX threshold is traversed to make set up easier.

The CEPH NO product will switch the lights on and off without user intervention. **However with the CEPH RE, reset version, the load will only switch on again once a manual wall switch (wired before the photocell, diagram B) is switched off (for 5 seconds) and on again.**

Each time the manual wall switch (wired before either type of photocell) is switched, the lamp will switch on for 1 minute regardless of the ambient lux level.

Loading

These Photocell switches can switch up to 6 amps (1500W) of:

- Fluorescent lamps, high frequency or switch start
- Incandescent or mains halogen lamps (recommended with integral safety fuse)
- Electronic or wire wound transformers.

They can also switch up to:

- 1 amp (250W) of fans or metal halide lamps.

Installation procedure

1. Please read these notes carefully before commencing work.
In case of doubt please consult a qualified electrician.
2. Make sure the power is isolated from the circuit.
The Photocell should be plugged into a Klik-AX socket connected as shown in diagram A:

L Live in
N Neutral in
A Switched Line out

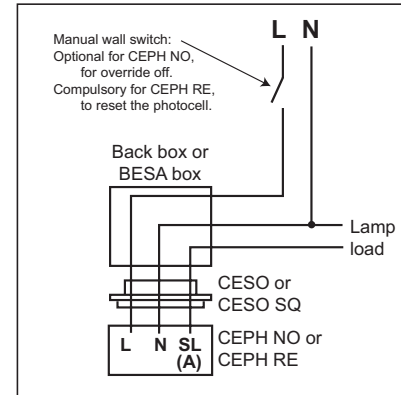
3. DANLERS sell the Klik-AX sockets under the following codes:
CESO: Circular Klik-AX socket for Besa box
CESO SQ: Square Klik-AX socket for single gang back box

4. Switch on the supply and check the operation.

Lux set-up

The LUX is best set up when it is dark outside and the lights are on. To do this turn the LUX control fully clockwise to '-' then slowly anti-clockwise (towards '+') until the red LED turns on.

A: Wiring diagram



B: Adjusting Lux

