

EVERBRIGHT

solar lights™

User Guide

Thank you for choosing our Everbright Solar Lights, Solar Rattan Lights, Solar Hessian Lights, Solar Party Lights or Solar Chinese Lights. Please read these instructions carefully before using them.

Box Contents:

Solar panel module, LED Light string, stake mount, extension shaft, multimount, USB charging cable, extension cable, screw and Rawl plug pack

Setting up your lights

Always take care when setting up your Everbright Solar Lights especially when you are situating them in high places. In the interest of safety, we strongly advise setting up your solar lights during the day while it is still light. **Children should only set up the lights with the assistance and careful supervision of a responsible adult.**

Choosing your location:

Before setting up your Everbright Solar Lights you'll need to think about the location of the solar panel module. Your solar panel module needs to be in an

unshaded location where light is not obstructed by buildings, walls, fences, trees, bushes or the shadows that these create. You will need to rethink your location if your solar panel module can't reach a bright and unobstructed location. If you are in any doubt please check before installing your lights. Once you are happy with your solar panel module location, install it by following the guide below. Once your solar panel module is installed, you can unravel your lights and place them where you like.

Solar Charging Tips

Do:

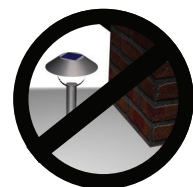


Ensure your solar panel is South facing or as near as possible



Clean your solar panel from time to time

Don't:



Do **NOT** place your solar panel shaded areas.



Do **NOT** charge behind glass

Stake Mounting

Before attempting to push the stake into the ground, please check that the ground is not too hard as any damage caused to your solar panel module as a result of driving them into hard ground is not covered by your warranty. If the ground is too hard, pour water on the desired area to soften the ground and make a hole using a strong metal object before driving your stake into the hole. Almost all of the stake needs to be under ground with only the piece above the ridge being above ground (see right). Now your stake is in place, locate the extension shaft and twist it onto the stake mount. The extension shaft is designed to keep the solar panel module off the ground to prevent water ingress.

Multimount for wall, fence and deck mounting

Attach the multimount to your wall, fence or decking using the supplied screws and Rawl plugs. Now your wall mount is in place, locate your solar panel module and gently push it onto the wall mount until it is fully inserted and secure. **Please do NOT use the extension shaft in conjunction with the multimount as this setup will not be secure and may cause injury or damage in high winds or other scenarios. The extension shaft is for use with the stake mount only.**

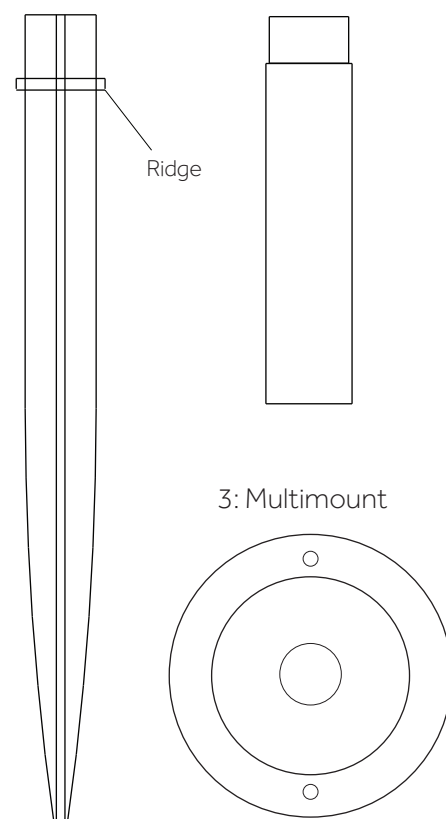
Operating Instructions

The Everbright Solar Lights are fully automatic so once turned on they will come on automatically at night and turn off automatically at dawn unless you turn them off at the switch. To turn your Solar Lights on simply press the power button on the underside of the solar panel.

Lighting Modes:

There are 8 modes available on your Everbright Solar Lights and 2 modes on your Everbright Solar Party, Rattan, Hessian and Chinese Lights. To change modes simply press the Mode button on the underside of the solar panel.

1: Stake Mount 2: Extension shaft



Charging your solar panel module via USB:

Everbright Solar Lights can be charged via USB as well as by the sun. USB enables you to use the lights inside where they can not charge from the sun. USB charging also enables you to fully charge your lights in the run up to a party or special occasion if the weather has let you down. Please note that you do not need to take your lights down to charge them via USB. Simply unplug the light string from the solar panel module and take the solar panel module inside. Before you begin, lift back the rubber cover that protects the USB port (marked D below) and make sure it is dry. **Please note that failure to ensure the solar panel module is dry prior to charging via USB may damage your solar panel module, USB device or cause injury.** Plug the USB end of the cable into your USB device and plug the round adaptor tip into the solar panel module (under the cover marked D in the illustration below). Once the solar panel module is connected to a USB device the red LED light next to the charging port on the solar panel module will light up to let you know that the batteries are charging.

USB Charging Times:

50 LED Lights, Party, Hessian, Rattan and Chinese Lights: **3 hours**

100 LED Lights: **5 hours**

300 LED Lights: **10 hours**

Trouble Shooting

My lights are on but it isn't dark:

Your Everbright Solar Lights have a sensor in the solar panel that tells them when it is dark enough to turn on. If your lights are coming on during the day by themselves then this suggests that the panel thinks it is dark when it isn't. This can happen in unusually dark weather conditions, but usually it is a sign that the solar panel is positioned in a heavily shaded location. Please rethink your solar panel module location or remove objects obstructing light from reaching the solar panel.

My lights have worked for the first few nights and then stopped working:

Usually the Everbright Solar Lights come partially charged so they will work for a few nights without receiving a fresh charge. If the lights stop working after a few nights then it is likely that they have not received a fresh charge during the first few days. Please check the location of your solar panel before switching the lights off by using the switch on the underside of the solar panel pack. Leave your lights switched off for a minimum of 3 days to allow the batteries to fully charge them via USB.

I can not get my lights to turn on and they never have:

Usually our Everbright Solar Lights come partially charged, but this isn't always the case. Please check the location of your solar panel module before switching the lights off by using the switch on the underside of the solar panel pack. Leave your lights switched off for a minimum of 3 days to allow the batteries to fully charge or charge them via USB.

Replacing the AA rechargeable batteries:

After several years use you may need to replace your batteries if you notice that your lights aren't performing as well as they used to. You can replace your batteries by removing the battery compartment bung (part A). To remove the bung firmly grip part B with one hand and wiggle out the bung (part A) with the other hand. **Please do not grip any other part of the solar panel module (other than part B) when removing the bung as this may damage the module and invalidate your warranty.**

Please replace your batteries with the AA rechargeable batteries recommended below. When inserting new batteries it is important to ensure that the new batteries are put in the correct way and that the bung is put back in the correct way round. To be sure look into the battery compartment and locate the side that has the spring and place a battery in that side so that the flat end of the battery goes in first against the spring. Place the other battery in the opposite way up. Ensure the bung is inserted the correct way by making sure the spring on the bung goes on top of the battery that has its flat end showing. Please note that AA rechargeable batteries are available from most shops including supermarkets, newsagents and petrol stations. **Please recycle your old batteries!**

Required AA Batteries

Everbright Solar Lights - 50 LED Bulbs: 2 x AA 600mAh NiMH rechargeable batteries

Everbright Solar Lights - 100 LED Bulbs: 2 x AA 1000mAh NiMH rechargeable batteries

Everbright Solar Lights - 300 LED Bulbs: 2 x AA 2000mAh NiMH rechargeable batteries

Everbright Solar Party/Hessian/Rattan/Chinese Lights: 2 x AA 600mAh NiMH rechargeable batteries

Everbright Solar Panel Module

