

THANK YOU FOR YOUR PURCHASE
PLEASE READ THESE INSTRUCTIONS CAREFULLY PRIOR TO INSTALLATION / MAINTENANCE

SPECIFICATIONS

Wattage: 6W
Lamp: In-built Sanan 2835 LED Chips 12*0.5w (120° Beam Angle)
Colour Temperature: 6000K (Daylight White)
Lumen Output: Approx. 300 lm
LED Life Expectancy: up to 25,000 hours / 5 years
Concentrated Light Spread (diam.): 1.5m (450mm) / 2m (700mm)
Mounting spacing: 1-2m apart (450mm) / 2-3m apart (700mm)
Sensor: Light / Charge Sensor
IP Rating: IP65
Battery Type: Lithium - LiFePO4 3.2v/8Ah (replaceable)
Battery Charge Time: 5-8 hrs full sunshine (approx.)
Lux Level (LED On/Off): 15 Lux
Max Illumination Time at Full Charge: Over 50 hrs
Solar Panel: 5v / 25W Single Silicon Solar Panel
Materials: Die Cast Aluminium & UV Stop Polycarbonate
Weight: 2.1KG / 2.4KG (approx.)
Mounting: External Surface Mount / Ground Spike
Lighting Function: 1hr 100%, 1 hr 80%, 1 hr 60%, 4 hrs 40%, 5hrs 20%, OFF
Working Temperature: -25°C ~ 55°C
Included: Surface Mount, Anchor Bolts, Ground Spike, Allen Key (for turning on/off only)



! WARNINGS !

- If a fitting is found to be damaged, cease use immediately.
- The unit may get warm whilst on for a period of time.
- Always take care when installing your solar light.
- Fitting must be mounted to a solid surface or using relevant anchor bolts / J-Bolts, unless ground spike is used.
- This Solar Light will not charge correctly if the panel is behind glass or artificial light is used.
- Ensure the waterproof bung is in place at all times, other than when turning the unit on or off.
- Due to temperature difference in and outside the fitting, condensation may be present internally but will not affect use.

CLEANING & MAINTENANCE:

Occasional cleaning and care is recommended for this product. Wipe with a soft, slightly damp cloth to remove any surface dirt. To maintain efficiency, specifically clean the solar panel and polycarbonate lens on a regular basis. Also, keep the solar panel free of debris and snow to prevent reduced battery life or malfunction. Do not use abrasive cleaners or a lot of water as this could damage the fitting. Please refer to our website for more information on the best way to clean different materials.

RETURNS:

If purchased from a 3rd party, please contact your supplier. If purchased direct, contact us by phone or email:
 Lumena Lights Ltd, Centre 33 Long March, Daventry, NN11 4NR Tel: +44 1327 871161 Email: sales@lumenalights.com

Our full returns policy is available on our website.

Waste Electrical Products should not be disposed of with household waste. Please check with your local authority or contact us for more information. Please recycle packaging whenever possible.

Full product range & more information: www.lumenalights.com

SOLAR TECHNOLOGY:

The Pathmaster is a highly efficient solar light with high capacity LiFePO₄ Lithium batteries and fast charging Monocrystalline solar panel. Even on partially cloudy and rainy days, it will re-charge efficiently and will illuminate for many hours even after just 1 hour charge in full sunshine. The 300 lumens light output is bright enough to illuminate paths and driveways, making them safe to navigate at night, with a downward spread light projection with minimal light pollution.

INSTALLATION:

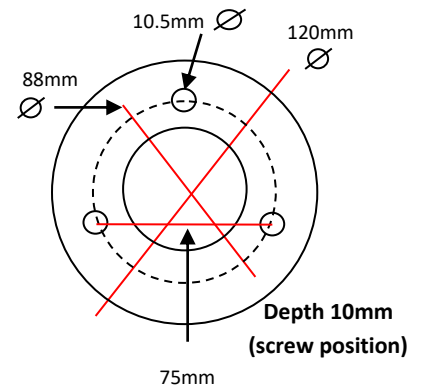
Designed to be mounted onto decking, a patio or pathway, or into soft ground via the sturdy 4 fin anchored ground spike.
For recommended spacing, see overleaf. Closer spacing / staggering will result in a more intense light.

Location – It is important that the installation location is carefully considered, avoiding shady areas. Ensure there is no other lights which could interfere with the light, imitating daylight and forcing the light off.

OPTIONAL: Apply a small amount of grease to the threads prior to installation to avoid seizing.

MOUNTING BASE

1. Use the base to mark the 3 mounting holes on the mounting surface in the desired location.
2. Remove the base and drill out the holes at the relevant depth and diameter for the mounting screws / wall plugs being used (varies based on mounting surface) – Anchor bolts recommended (10mm supplied).
3. Replace the base to the desired location, lining up the 3 x holes and secure in place with the chosen screws / bolts. - **do not overtighten.**
4. Attach the base to the bottom of the tubular body (logo end) by turning clockwise until secure – **do not overtighten.**
5. Fasten the head to the tubular body (clockwise) until secure – **do not overtighten.**



NOTE: Spacers may be beneficial between the surface and underside of the mounting base (6mm), depending on which type of fixing bolts are used. This will prevent overtightening of screws and potential strain / damage to the base.

GROUND SPIKE

1. Dampen the area of installation to enable the spike to be pushed into the ground without too much resistance.
2. Mount the spike into the ground by pushing firmly at the centre nut – do not use a blunt instrument or the outer thread could be damaged.
3. Attach the threaded tubular body (logo end) to the ground spike by turning clockwise until secure – **do not overtighten.**
4. Compact the earth around the fitting.
5. Fasten the head to the tubular body (clockwise) until secure – **do not overtighten.**



TURNING ON/OFF

- 1) Remove the waterproof rubber bung located on the rim of the head labelled ON/OFF.
- 2) Use a thin allen key or similar to pop in the power button inside the hole for power on – the light will flash on temporarily.
- 3) Repeat to turn off. **TIP: To check if the solar light is on, cover the solar panel**



NOTES: If the solar light is turned off, the battery will still charge.

In particularly bad weather, turning the light off for 2 days will enable the battery to recharge without draining at night. If the battery reduces to 10% charge or less, the LED will also dim to 10%.

STORAGE:

When storing the bollard, be sure to turn the bollard to the off position by following the above steps (check by covering and uncovering the solar panel). Once pressed, the on/off button will release fully forward. Maximum 6 months storage when fully charged – recharge will be required periodically to prevent damage to battery over long periods of time.

Full product range & more information: www.lumenalights.com