



Meaningful Innovation.

WEEE Number: 80133970

INSTRUCTION MANUAL

LED WATERPROOF BATTEN LIGHT



IP65
RATING

IK 10
RATING

03
YEAR
WARRANTY*

TECHNICAL DATA

MODEL	VT-41004ES	VT-41004SE	VT-41005ES	VT-41005SE	VT-41006ES	VT-41006SE
SKU	23073	23074	23077	23078	23081	23082
WATTS	20W / 25W / 30W		30W / 40W / 50W		40W / 50W / 60W	
COLOR TEMPERATURE	4000K / 5000K / 6500K					
DEFAULT SETTING	25W & 5000K		40W & 5000K		50W & 5000K	
INPUT VOLTAGE	AC 220-240V, 50Hz					
LUMENS	4200 LM		7000 LM		8400 LM	
SIZE (mm)	1200 x 80 x 72		1500 x 80 x 72		1800 x 80 x 72	
MICROWAVE SENSOR	NO	YES	NO	YES	NO	YES
EMERGENCY BATTERY BAKUP	YES					
BEAM ANGLE	120°		120°		120°	
CRI	>80		>80		>80	
LIFE SPAN [HOURS]	50,000		50,000		50,000	
BODY TYPE	PC		PC		PC	

SENSOR SPECIFICATION

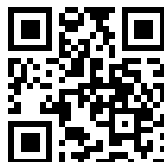
OPERATING VOLTAGE	MICROWAVE FREQUENCY	MICROWAVE POWER	OPERATING CURRENT	CONTROL MODE	STAND-BY DIMMING LEVEL	STAND BY PERIOD	HOLD TIME	DAYLIGHT THRESHOLD	DETECTION RANGE	DETECTION ANGLE
DC 7.5-12V	5.8 GHz +75Mhz	<0.3mW	<30mA	PWM	0% / 20%	15min/+∞	5s/1min/ 3min/10min	30Lux/ Disable	Ø24M (Max)	Side Wall <150° Ceiling Mount 360°

EMERGENCY SPECIFICATION

BATTERY TYPE	BATTERY CAPACITY	BATTERY VOLTAGE	BATTERY CHARGE VOLTAGE	BATTERY CURRENT	BATTERY DISCHARGE VOLTAGE	BATTERY DISCHARGE CURRENT	CHARGING TIME	OPERATION TIME	TEST FUNCTION
LiFePO4 18730	2000mAh	6.4V	DC 9V	30~400mA	DC 6.0~8.2V	350~700mA	>24H	>3H	Automatic and Manual

REMOTE CONTROL ONLY BE COMPATIBLE WITH MODELS THAT HAVE SENSOR

BATTERY	DETECTION AREA	STAND-BY DIMMING LEVEL	STAND-BY PERIOD	HOLD TIME	DAYLIGHT THRESHOLD	BRIGHTNESS ADJUST
2xAAA (Not included)	50% / 100%	0% / 10% / 20% / 30%	5min / 15min / 30min / + ∞	30s / 1min 3min / 10min	10Lux / 30Lux / 50Lux / Disable	-/+ Button on Remote



**MULTI-LANGUAGE
MANUAL QR CODE**

Please scan the QR code to
access the manual in multiple languages.

IN CASE OF ANY QUERY/ISSUE WITH THE PRODUCT PLEASE REACH OUT TO US AT
SUPPORT@VTACEXPORTS.COM V-TAC HOUSE, KELPATRICK ROAD, SLOUGH, BERKSHIRE, SL1 6BW, UK.

INTRODUCTION & WARRANTY

Thank you for selecting and buying V-TAC product. V-TAC will serve you the best. Please read these instructions carefully before starting the installation and keep this manual handy for future reference. If you have any another query, please contact our dealer or local vendor from whom you have purchased the product. They are trained and ready to serve you at the best. The warranty is valid for 3 years from the date of purchase. The warranty does not apply to damage caused by incorrect installation or abnormal wear and tear. The company gives no warranty against damage to any surface due to incorrect removal and installation of the product. The products are suitable for 10-12 Hours Daily operation. Usage of product for 24 Hours a day would void the warranty. This product is warranted for manufacturing defects only.



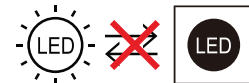
This marking indicates that this product should not be disposed of with other household wastes.



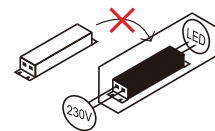
Caution, risk of electric shock.

WARNING

1. Please make sure to turn off the power before starting the installation.
2. Installation must be performed by a qualified electrician
3. The light source of this luminaire is not replaceable, when the light source reaches its end of life the whole luminaire should be replaced.
4. If the external flexible cable or cord of this luminaire is damaged, it shall be exclusively replaced by the manufacturer or his service agent or a similar qualified person in order to avoid a hazard.
5. Proper grounding should be ensured throughout the installation.
6. Please do not install on a surface that is prone to vibrations.
7. Contact our customer support team for battery replacement.



Non-replaceable light source



Non-replaceable control gear

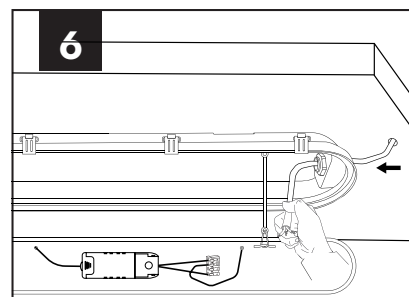
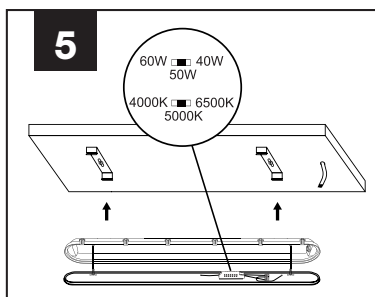
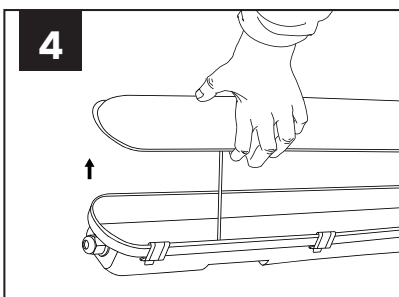
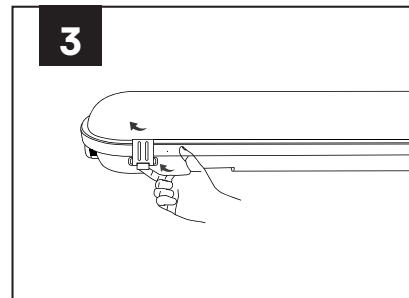
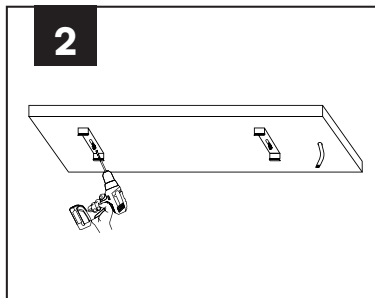
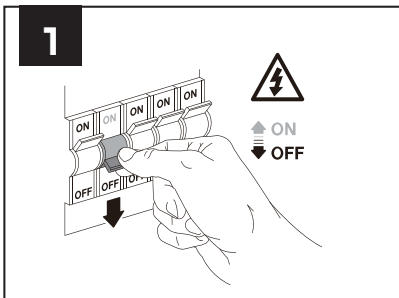
INSTALLATION PRECAUTIONS

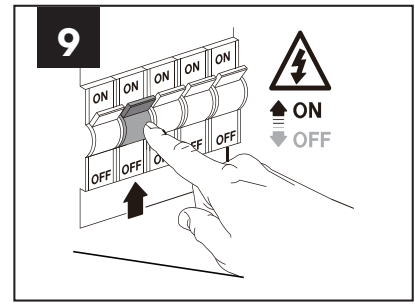
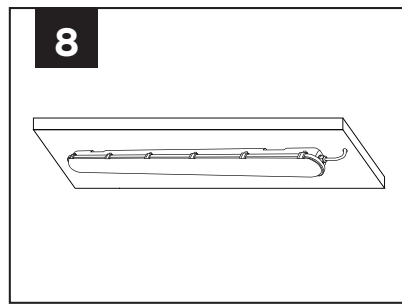
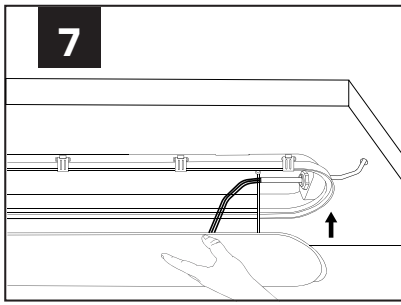
1. Microwave sensor can be installed in any lamp except the one with full metal shell.
2. The detected surface cannot be shielded by metal objects.
3. Make sure the microwave module is completely exposed outside.
4. The detection surface of the sensor module shall be installed facing the detection area.
5. Should be kept away from the driver to avoid interference generation and lamp flashing.
6. Wiring must be strictly in accordance with the wiring diagram to avoid short circuit.

USER NOTES

1. 3M distance is suggested when having a lot sensors in one same room.
2. If the sensor is applicated in the room with 5G WiFi router, 3M distance or above is needed.

INSTALLATION INSTRUCTION





x4

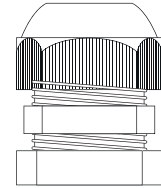
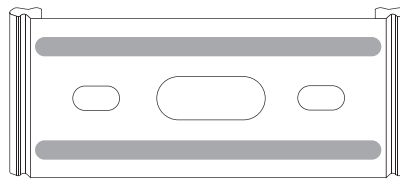
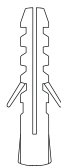
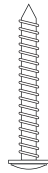
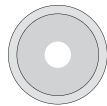
x1

x4

x4

x2

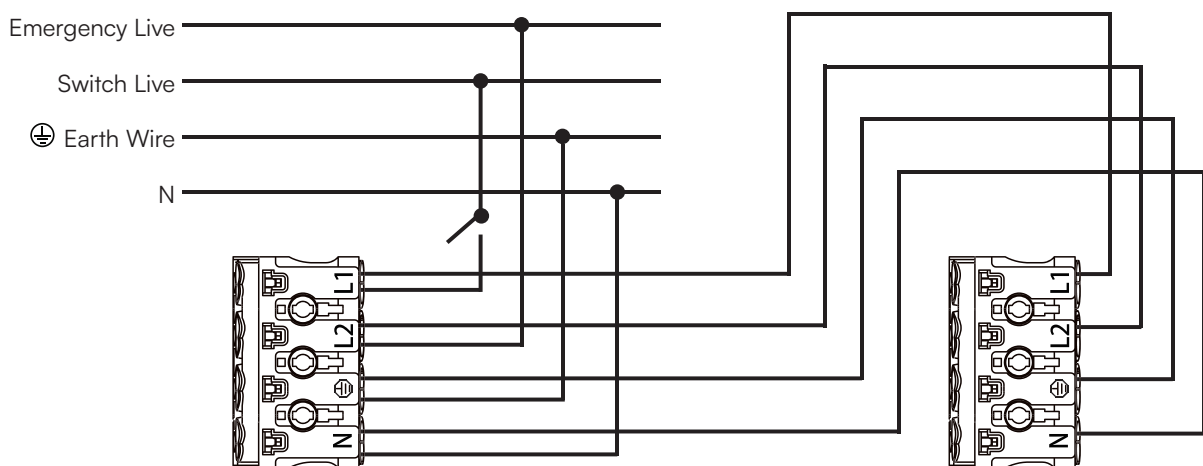
x1



INSTALLATION INSTRUCTIONS

1. Switch OFF the power before starting the installation.
2. Mark and drill the holes on the wall/surface at the correct space for the two surface mounting kits, and fix the kits on the wall/surface.
3. Unfasten securing clips.
4. Gently open the front cover/diffuser from the backside fitting.
5. Click backside fitting to surface mounting kits, Choose suitable Wattage & Colour Temperature by Dip Switch on LED driver.
6. Connect supply leads with terminal brown (L) to brown, blue (N) to blue & greenish-yellow (⊕) to greenish-yellow.
7. Gently put the front cover/diffuser to the backside fitting.
8. Fasten securing clips.
9. Switch ON the power to test the light.

LINKABLE UNITS WIRING DIAGRAM



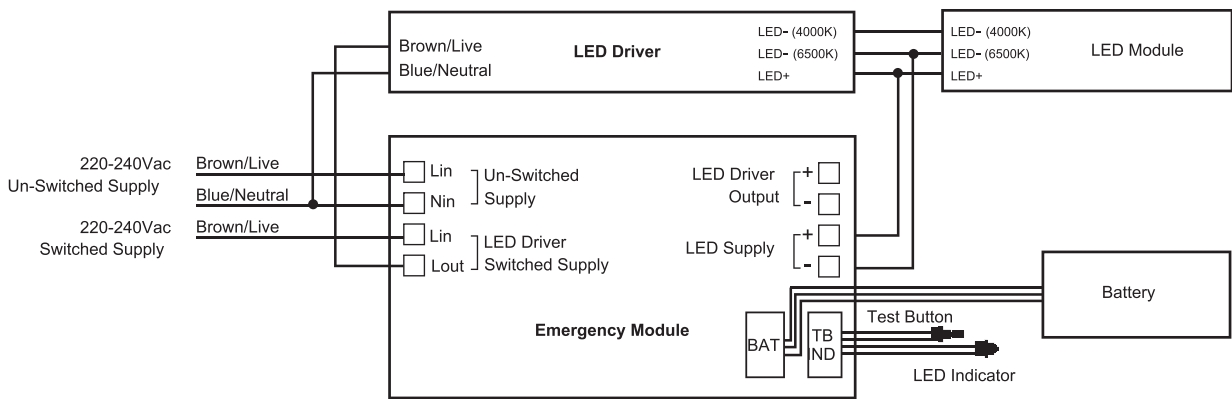
RoHS



UK
CA



EMERGENCY WIRING DIAGRAM



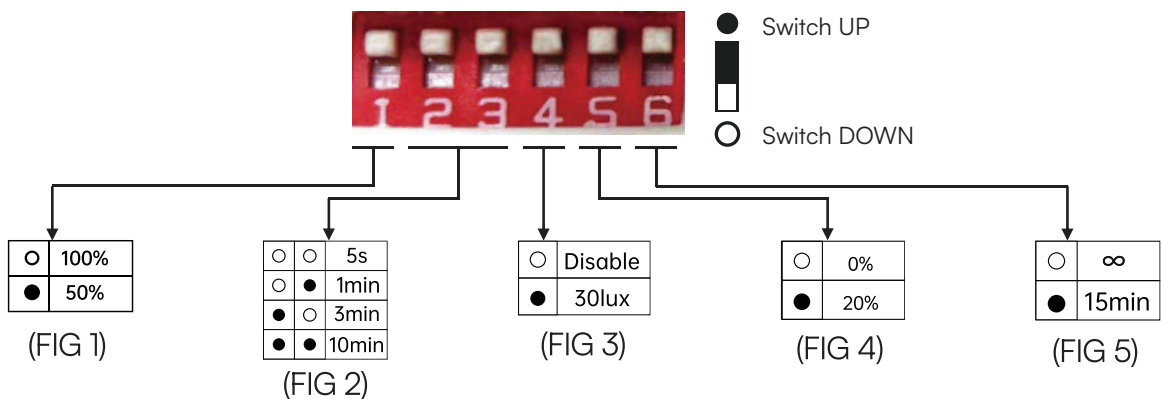
NOTE

1. Before installation, to connect the battery.
2. After installation, allow 24 hours to ensure full battery charge and then interrupt the supply.

CAUTION

To ensure its performance, battery pack should be charged for 24 hours every 6 months during storage

SENSOR SETTINGS



DETECTION AREA - It can be adjusted by combining DIP switches for specific application [FIG 1].

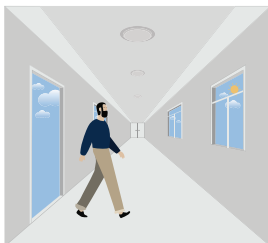
HOLD TIME - Time period during which the light will be ON after the last detection [FIG 2].

DAYLIGHT THRESHOLD - Daylight sensor priors motion sensor. Set Threshold for Specific needs. If disabled, only motion sensor will work [FIG 3].

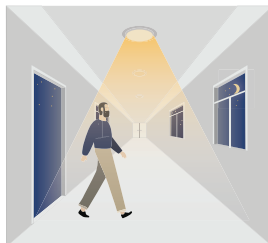
STAND-BY DIMMING LEVEL - The dimming level during which the light is ON during the stand-by Period [FIG 4].

STAND-BY PERIOD - This is the time period during which the light keeps dimming down after the last detection [FIG 5].

AUTOMATICALLY ON/OFF FUNCTION



With sufficient daylight, even when motion detected, light remains OFF

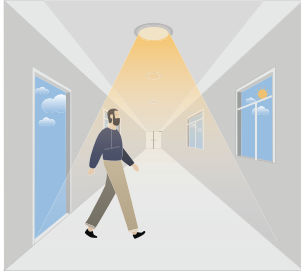


With insufficient daylight, the sensor turns light ON when motion gets detected.

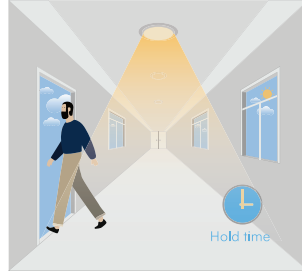


The sensor turns OFF light automatically after the holdtime when there's no motion detected.

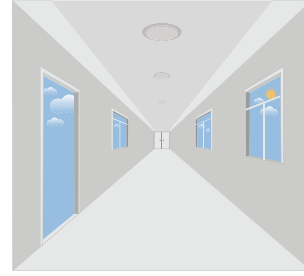
DAYLIGHT DISABLE



The sensor turns light ON when motion gets detected.



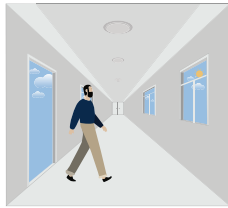
The sensor keeps light ON for holdtime period after motion leaves.



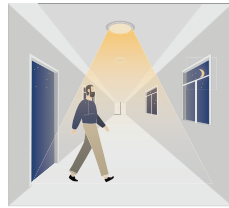
The sensor turns OFF light automatically after the holdtime.

When daylight threshold is preset as "disable", the sensor turns light ON when motion gets detected, and OFF after holdtime.

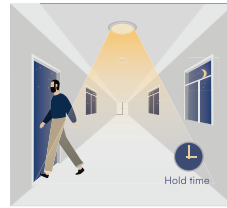
CORRIDOR FUNCTION, BI-LEVEL DIMMABLE



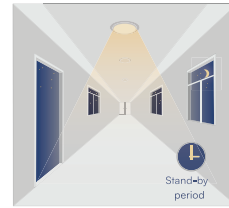
With sufficient daylight, the sensor keeps light OFF even motion gets detected



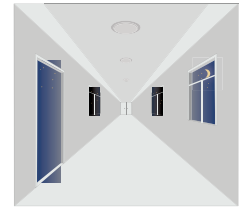
With insufficient daylight, the sensor turns light ON when motion gets detected.



After there's no motion detected, the sensor keeps light ON 100% for holdtime.



After holdtime, sensor dims light to standby dimming level for standby period.



The sensor turns OFF light automatically after the standby period when there's no motion detected.

REMOTE CONTROL (PURCHASE SEPERATELY)

Indicator Light
ON/OFF Motion Sensor ON/OFF

Short push On/Off Button to turn on or off the light

MOTION SENSOR
Long push Motion Sensor Button.
Indicator light blinks once as detection ON
Blinks twice as detection OFF

BRIGHTNESS
-: Press the button to dim light to lower level.
+: Press the button to dim light to higher level.

STAND-BY BRIGHTNESS
OFF/10%/20%/30%

Stand-by Brightness option before light off.
Off button means no standby

DAYLIGHT THRESHOLD
OFF/10LUX/30LUX/50LUX

STANDBY PERIOD
5Min/15Min/30Min/+∞

Keep Pressing (5Min)
for 5Sec to enter Test Mode

DISTANCE
50%: Near distance about 1-3M
100%: Far distance about 3-6M

TIME UNTIL STANDBY
The period before light dims down to standby brightness after no motion

KEEP PRESSING (30s)
for 5Sec to enter into Test Mode

AUTOMATIC SELF-TEST EMERGENCY MODULE USER GUIDE








Please read these instructions thoroughly before use and retain for future reference.

If you are in any doubt about using this product, please consult a qualified electrician

Commissioning

- Commissioning takes place by connecting the battery and then the un-switched supply. The battery must be connected first.
- The green LED will immediately flash 1 x second to indicate that there is a pending duration test.
- A duration test will occur at a random point between 24 hours and 48 hours after commissioning to allow 24 hours for battery charging.
- Any faults found in the duration testing will be reported via the LED indicator, as detailed below.
- Disconnecting the un-switched supply and then the battery resets the emergency module, clears all fault reports and forces a re-commission when the battery and then power supply are reconnected.

LED INDICATOR

	Green	= System Healthy		Red	= Battery Charging Fault
	Green Flash 1 x Second	= Duration Test Pending		Red Flash 2 x Second	= Battery Duration Fault
	Green Flash 2 x Second	= Duration Test Running		Red Flash 4 x Second	= Lamp or Luminaire Fault
	Green Flash 4 x Second	= Functional Test Running			

DURATION TESTING (3 HOURS)

- An automatic duration test will occur at a random point between 24 hours and 48 hours after commissioning to allow for battery charging.
- An automatic duration test will occur annually at a random point in the 52nd week of each year.
- A duration test will occur at a random point between 0 and 24 hours after pressing the manual test button for 5-10 seconds. Time will be added to allow the battery to charge if the battery has been charging less than 24 hours.
- A duration test may be delayed by other events, such as a power cut that interrupts the test or a lack of charging time, in which case the green LED will flash 1x second to indicate there is a pending duration test that the emergency module has rescheduled.
- Any faults found in the duration testing will be reported via the LED indicator, as detailed above.
- A functional test will not override any faults reported by a duration test. A full duration test or re-commissioning is required to clear any faults.

FUNCTIONAL TESTING (<2 MINUTES)

- A short automatic functional test will occur every 7 days.
- A manual functional test will start immediately after pressing the manual test button for 1-2 seconds.
- Any faults found in the functional testing will be reported via the LED indicator, as detailed above.
- A functional test will not override any faults reported by a duration test. A full duration test or re-commissioning is required to clear any faults.

MANUAL TESTING

- Manual functional test: Press the test button for 1-2 seconds. A manual functional test lasting <2 minutes will start immediately.
- Manual duration test: Press the test button for 5-10 seconds. A manual duration test will occur at a random point between 0 and 24 hours after pressing the test button for 5-10 seconds. Time will be added to allow the battery to charge if the battery has been charging less than 24 hours

PENDING DURATION TESTS

- A duration test may be delayed by other events, such as a power cut that interrupts the test or charging period, in which case the green LED will flash to indicate there is a pending duration test that the emergency module has rescheduled until charging is complete.

LAMP OR LUMINAIRE FAULT

- Turn off the supply and replace or correct the fault with the lamp or luminaire, and then reconnect the supply.
- Press the test button on the driver for 5-10 seconds. A manual duration test will occur at a random point between 24 and 48 hours later to allow the battery to charge fully.
- If the battery and power have been disconnected the module will re-commission and automatically test the replacement.
- A successful functional test will not override any faults reported by a duration test. A full duration test or re-commissioning is required to clear fault reports.

BATTERY FAULT

- Turn off the un-switched supply to the emergency module and replace the battery, and then reconnect the supply.
 - If the fault was because the battery was not connected, the un-switched supply must still be turned off when connecting the battery to clear the battery fault.
 - The emergency module will re-commission and so automatically test the replacement at a random point between 24 and 48 hours after commissioning to allow for battery charging.
-