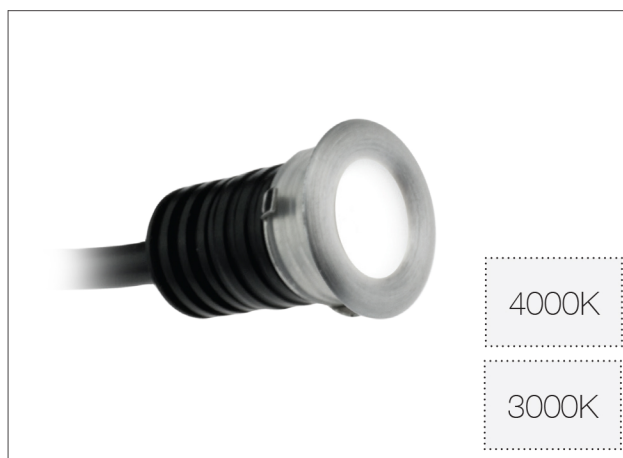


# TECHNICAL DATASHEET

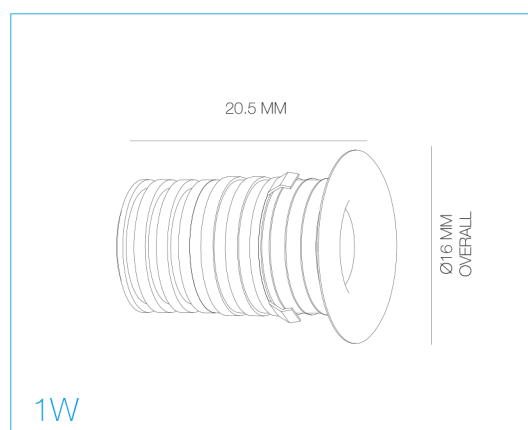
AMKR012AL

## 1W IP44 LED Micro Aluminium Marker Light



### PRODUCT FEATURES

- Aluminium Finish
- Glare Reducing Fluted Design
- Ideal for Effect Lighting
- Super Slim
- IP44 Suitable for Use in Bathrooms
- Low Profile Micro Design
- 2m Pre-Wired Cable



PRODUCT CODE	AMKR012AL/30	AMKR012AL/40
Power	1W	1W
Lumens	≤60 lm	≤70 lm
Colour Temperature	3000K	4000K
Beam Angle	50°	50°
CRI	>80	>80
IP	IP44	IP44
Lifetime (Hours to lm70)	50,000 h	50,000 h
Temperature	-20~+50°C	-20~+50°C
Operating Current	350mA	350mA