

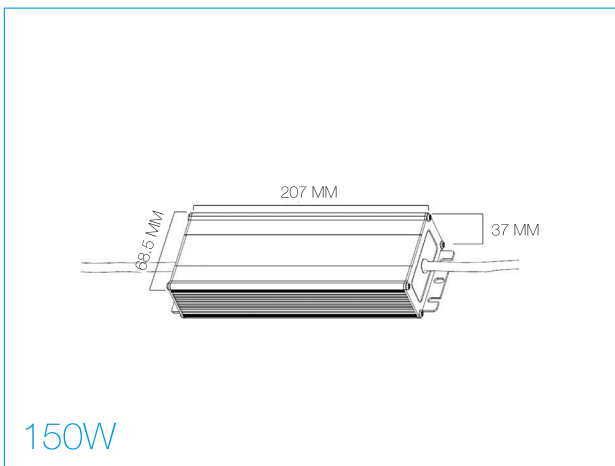
TECHNICAL DATASHEET

ADRCV24150IP
150W 24V DC CONSTANT VOLTAGE LED DRIVER IP67



PRODUCT FEATURES

- Constant Voltage LED Power Supply
- Moulded Polycarbonate Body
- Overload Protection
- Regulated Output
- Thermal Cutout
- SELV Rated
- Tough Rubberised Cable



PRODUCT CODE	ADRCV24150/IP
Operating Voltage	220-240 V AC
Output Voltage	24V DC
Operating Load	0-150W
Output Current (Max.)	6.25A
Temperature	-15~+45°C