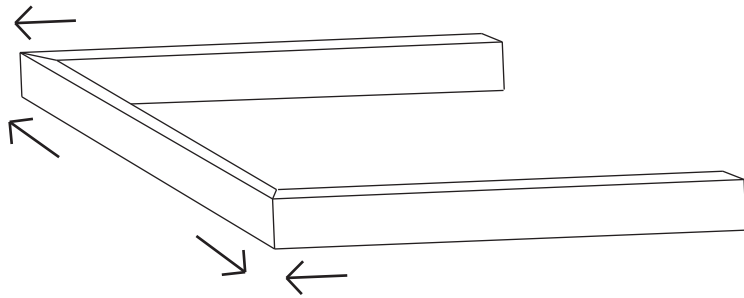


BRIGHT SOURCE

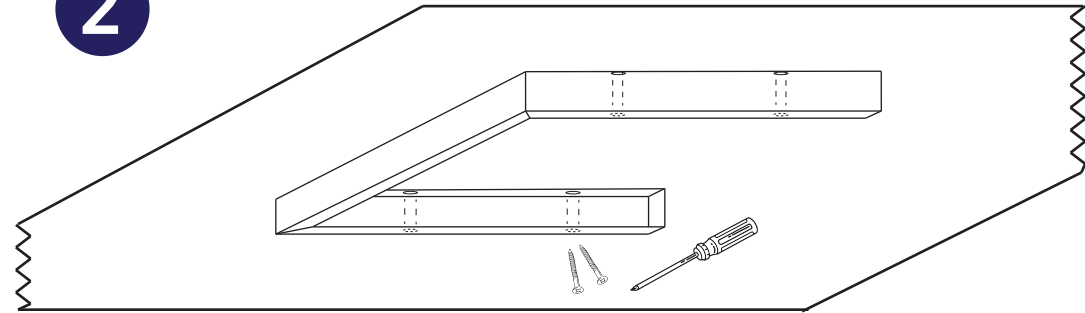
600 x 600 LED Surface Mounting Kit (173151)

1



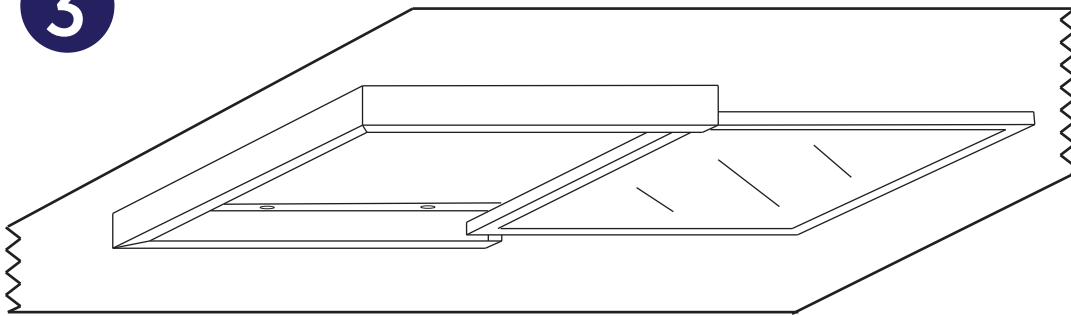
1. Slot 3 sides together to create a U-frame

2



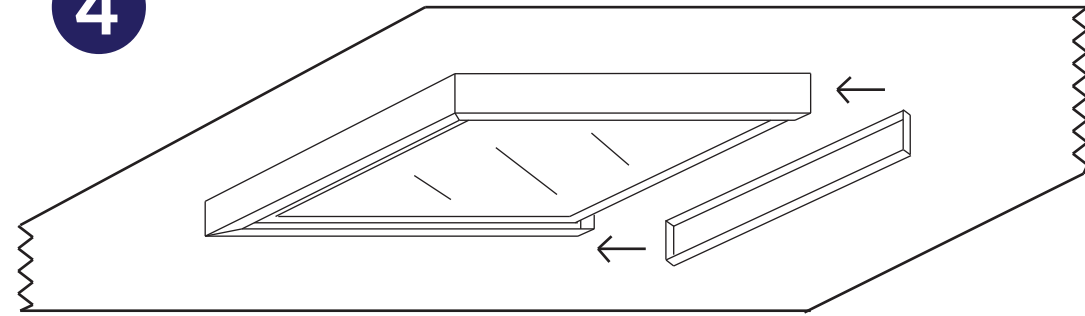
2. Attach the 3 sided U-frame to the ceiling with the screws and holes provided.

3



3. Slide the panel into the 3 sided U-frame

4



4. Slot the 4th side of the mounting kit to the already attached frame to hold the panel in place.