

Cleaning:

- > Clean this light fitting only with a soft dry cloth
- > Do not use any chemical or abrasive cleaners.

Lamp replacement:

- > Switch off the electricity at the mains.
- > Remove the glass diffuser by prizing the metal ring that retains it out of the fitting using a small flat bladed screwdriver.
- > Pull the old lamp straight out of its socket and replace only with one of the same type and rating.
IMPORTANT ! Do not touch the lamp with bare fingers, use a soft clean cloth or tissue.
- > Replace the glass diffuser pressing firmly back into place.

Replacement lamp type:

Wattage: 20 W
Supply Voltage: 12 V
Type: G4 M47 capsule

Eventually, you may want to replace this light fitting:

When your light fitting comes to the end of its life or you choose to update or upgrade it by replacing it, please do not dispose of it with your normal household waste, please recycle where facilities exist. When you need to dispose of this fitting, check with your retailer or local authority for suitable options. New regulations will encourage the recycling of Waste from Electrical and Electronic Equipment (European "WEEE Directive" effective August 2005).



If you experience problems:

If your light is defective or develops a fault, please return it to the place where you bought it. You can call our Helpline for advice. The Helpline will gladly give advice on any aspect of any Eterna Lighting product but may not be able to give specific instructions regarding individual installations.

If in doubt, consult a qualified electrician.

Help line:

Tel: 01933 673 144 Fax: 01933 678 083 Email: sales@eterna-lighting.co.uk

For answers to frequently asked questions (FAQs) and other information visit our web-site

www.eterna-lighting.co.uk



IMPORTANT !

Safety and Installation instructions

Triangle capsule downlights

Model(s)
D039, D062, 12TR2SC, 12TR2BK

Pack contents:

| | |
|-------------------------|---|
| Capsule downlight | 1 |
| Triangle surround | 1 |
| G4 M47 20W capsule lamp | 1 |
| Fixing pack | 1 |

**PLEASE READ THESE INSTRUCTIONS BEFORE
INSTALLING YOUR NEW FITTING**

PLEASE RETAIN FOR FUTURE REFERENCE

Read this first:

- > If in any doubt, consult a qualified electrician.
- > Suitable for indoor use only.
- > This product is only suitable for use in living areas (not for areas constantly subject to moisture).
- > This product is suitable for installation on surfaces with normal flammability (indicated by the "F" in a triangle) e.g. wood, plasterboard, masonry. It is not suitable for use on highly flammable surfaces (e.g. polystyrene, textiles).
- > Use only with a suitable 240V / 12V step down transformer.
- > Do not connect lights directly to the mains.
- > Do not overload the transformer, check that the total Wattage of all fittings does not exceed the maximum marked on the transformer.
- > Before making fixing hole(s), check that there are no obstructions hidden beneath the mounting surface such as pipes or cables.
- > If the location of your new fitting requires the provision of a new electrical supply, the supply must conform with the requirements of the latest edition of the IEE wiring regulations.
- > Do not cover the fitting and / or transformer with any insulating materials.
- > The transformer should be placed where it cannot be splashed
- > This fitting uses SELV (Safety Extra Low Voltage). Do not connect any part to earth.
- > The fitting must be positioned so that there is at least 0.3m (300mm) between the bulb and any illuminated surface. Do not use the fitting without the safety shield fitted.
- > When replacing the lamp, do not touch with bare fingers, grip the lamp with a tissue or clean soft cloth.
- > Do not attach to surfaces which are damp, freshly painted or otherwise electrically

conductive (e.g. metallic surfaces).

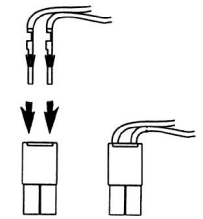
- > If in any doubt, consult a qualified electrician.

Installation:

- 1) Check that the transformer you intend to use to power your fitting is adequately rated for the total number of fittings you are installing and that it has been installed in accordance with all of the manufacturers instructions.
- 2) Choose the location for your new fitting.
- 3) Prepare the route for the cable between the light and the transformer.
- 4) Extract the light(s) from the Triangle surround by gently levering it out using a small screwdriver or other flat bladed implement. Take great care not to damage the decorative finish.
- 5) With the cable(s) threaded through the surround, secure the surround in position using suitable fixings appropriate to the mounting surface.
- 6) Gently pull the cable(s) through your prepared exit route and press the light fitting(s) back into the surround. Make sure that you do not trap a loop of cable behind the light fitting(s).
- 7) Make the connection of the cable to the transformer. We recommend the use of an Eterna Lighting transformer which has sockets designed to allow the plug(s) fitted to your light (s) to plug directly in.
Note: If you have any other transformer in which there is no provision for connection using the plug fitted to your light, you will need to cut the plug off and use an alternative method of connection. The connections to the light fitting are not designated Live or Neutral. Make connections using a terminal block, ensure that there are no strands of wire protruding and wrap well with insulating tape.
- 8) Restore the power and switch on.

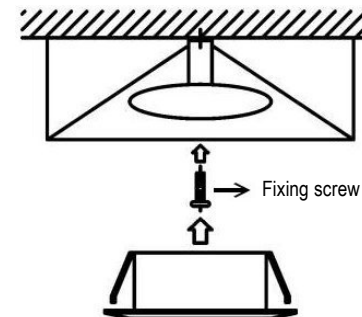
Assembling the plug:

- > Once you have threaded the cables from your light to your transformer, you will need to push the pins at the ends of your cables into the plug body. Note, once the pins have been inserted they cannot be removed.

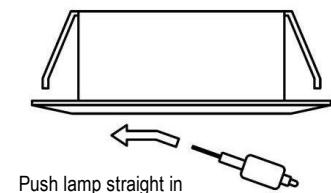
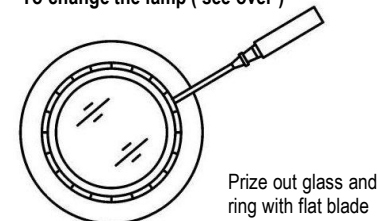


Important !

Never touch the glass when the light is switched on.
Allow light to cool before changing the bulb



To change the lamp (see over)



Safety markings:

