
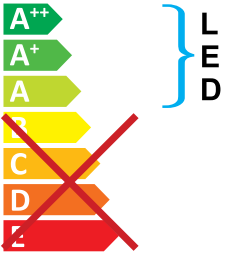


PLEASE NOTE:
Due to the huge variety of dimmers in the market, dimming performance with all types cannot be guaranteed, compatibility should be tested before installation.

Eterna VECOIFIRE Range

 This luminaire contains built-in LED lamps.



The lamps cannot be changed in the luminaire.

874/2012



LED LAMP SPECIFICATIONS:	VECOIFIRE3	VECOIFIRE4
Luminaire lumens (with diffuser)	540 lm	560 lm
Lumens from chip (no diffuser)	620 lm	650 lm
Useful lumens	510 lm	530 lm
Rated Wattage	5W	5W
Rated luminous flux	510 lm	530 lm
Nominal life time of the lamp	36,000 hrs	36,000 hrs
Colour temperature	3000K	4000K
Number of switching cycles before premature lamp failure	15,000	15,000
Warm-up time up to 60% of the full light output	<1s	<1s
Dimmable	Yes	Yes
Nominal beam angle	60°	60°
Rated power	5W	5W
Rated lamp lifetime	36,000 hrs	36,000 hrs
Lamp power factor	>0.8	>0.8
Lumen maintenance factor at end of nominal life	≥0.70	≥0.70
Starting time	<0.1s	<0.1s
Colour rendering	≥80	≥80
Colour consistency	Within a six step Macadam ellipse	Within a six step Macadam ellipse
Rated peak intensity	286cd	300cd
Rated beam angle	60°	60°
Voltage / Frequency	240V~50Hz	240V~50Hz

EVENTUALLY, YOU MAY WANT TO REPLACE THIS PRODUCT:

Regulations require the recycling of Waste from Electrical and Electronic Equipment (European "WEEE Directive" effective August 2005—UK WEEE Regulations effective 2nd January 2007). Environment Agency Registered Producer: WEE/GA0248QZ.

WHEN YOUR PRODUCT COMES TO THE END OF ITS LIFE OR YOU CHOOSE TO REPLACE IT, PLEASE RECYCLE IT WHERE FACILITIES EXIST - DO NOT DISPOSE WITH HOUSEHOLD WASTE.

CLEANING:

Clean this fitting only with a soft dry cloth.
Do not use any chemical or abrasive cleaners.

IF YOU EXPERIENCE PROBLEMS:

If you believe your product is defective, please return it to the place where you bought it. Our Technical Team will gladly advise on any Eterna Lighting product, but may not be able to give specific instructions regarding individual installations.



Email: sales@eterna-lighting.co.uk / technical@eterna-lighting.co.uk

Issue 0519

Visit our website: www.eterna-lighting.co.uk

Made in China

 **Eterna**
Everyday Lighting For Professionals

INSTALLATION INSTRUCTIONS

A guide for qualified electricians



Pack contents:

- 1 x LED fitting
- 2 x Fixing clips
- 2 x Trims

VECOIBRACK
Insulating bracket available for VECOIFIRE range

 **Dimmable**

Model:
VECOIFIRE3 / VECOIFIRE4
Economy LED IP65 Dimmable
Fire Rated Downlights

These instructions are provided as a guideline to assist you.

PLEASE READ THESE INSTRUCTIONS BEFORE INSTALLATION AND RETAIN FOR FUTURE REFERENCE

READ THIS FIRST:

Check the pack and make sure you have all of the parts listed on the front of this booklet. If not, contact the outlet where you bought this product.

This product must be installed by a competent person in accordance with the current building and IEE wiring regulations.

As the buyer, installer and/or user of this product it is your own responsibility to ensure that this fitting is fit for the purpose for which you have intended it. Eterna Lighting cannot accept any liability for loss, damage or premature failure resulting from inappropriate use.

This product is designed and constructed according to the principles of the appropriate British Standard and is intended for normal domestic service. Using this fitting in any other environments may result in a shortened working life, for example where there is prolonged periods of use or higher than normal ambient temperatures such as lighting public or shared spaces or in nursing/care home facilities.

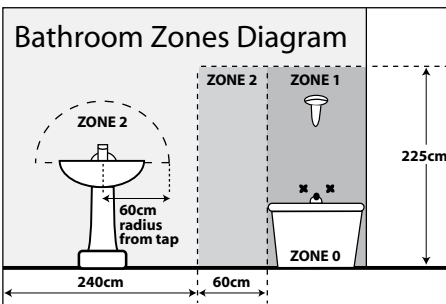
Switch off the mains before commencing installation and remove the appropriate circuit fuse or lock off MCB.

Do not connect to a circuit which also has inductive loads connected; switching of inductive loads will generate spikes which may damage electronic components.

This unit is suitable for indoor use only.

This product is suitable for use in living areas, bathroom zones 1 and 2 and outside of zones (see diagram below and current IEE Wiring Regulations for details). It is not suitable for bathroom zones 0.

If being fitted in a bathroom a 30mA RCD must be used.



This product is designed for permanent connection to fixed wiring: this must be a suitable circuit (protected with the appropriate MCB or fuse).

This product is suitable for installation on surfaces with normal flammability e.g. wood, plasterboard and masonry. It is not suitable for use on highly flammable surfaces (e.g. polystyrene, textiles).

Before making fixing hole(s), check that there are no obstructions hidden beneath the mounting surface such as pipes or cables.

The chosen location of your new fitting should allow for the product to be securely mounted and safely connected to the mains supply (lighting circuit).

Do not cover the fitting with any insulating materials unless you are installing with VECOIBRACK.

Do not install inside a fire hood.

The lamp must be positioned so that there is at least 0.3m (300mm) between the lamp and any illuminated surface.

Do not attach to surfaces which are damp, freshly painted or otherwise electrically conductive (e.g. metallic surfaces).

When making connections ensure that the terminals are tightened securely and that no strands of wire protrude. Check that the terminals are tightened onto the bared conductors and not onto any insulation.

This fitting is double insulated. Earth terminal for looping only.

This product is not intended to be used by children and persons with sensory, physical and/or mental impairments that would prevent them from using it safely.

You are advised at every stage of your installation to double-check any electrical connections you have made. After you have completed your installation there are electrical tests that should be carried out, these tests are specified in the current IEE wiring and building regulations.

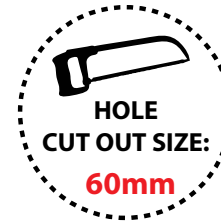
A clear space is required around the fitting for ventilation. If installing in a ceiling with insulation laid over, **VECOIBRACK** must be employed to raise the insulation.

NOTE: This product must be disconnected before insulation resistance testing of the lighting circuit.

INSTALLATION:

Warning! Turn off mains power before commencing installation.

01. Choose the location of your new downlight giving consideration to all of the conditions listed.
02. Cut a 60mm diameter fixing hole ensuring that the hole is cut accurately; we recommend the use of a circular hole cutter and also recommend cutting a sample hole in spare material first to understand the process.



03. Make the electrical connections:
Live - Brown
Neutral - Blue
04. Press the spring clips up against the sides of the fitting, offer the body into the fixing hole and guide the fitting into place.
05. Press the fitting firmly into place until it is retained by the strength of the springs. The fitting may require some manipulation in order to pass through the hole. Do not enlarge the hole to make fitting easier.
06. Check that the gaskets are in place, intact and that the white foam gasket makes a good even seal around the fitting against the mounting surface.
07. Restore the power supply and switch on.

OPERATION:

01. The soft white gasket and the sealing of the diffuser creates a seal and prevents the passage of moisture through the barrier provided by the mounting surface e.g. ceiling. This aids compliance with Part F which requires restriction of the passage of moisture and air into cavities and the roof space. These model fittings are rated IP65 and aid compliance with requirements for air leakage.
02. The soft white gasket combined with the sealed polycarbonate diffuser and solid metal construction seal the mounting hole acoustically and so aid compliance with Part E: Resistance to the passage of sound.

REPLACEMENT LAMP TYPE:

The light source of this luminaire is not replaceable; when the light source reaches its end of life the whole luminaire shall be replaced.

DIMMING:

Ensure dimmer loading is within its specification – under-loading may cause the LEDs to flash, over-loading will damage the dimmer and / or luminaire. Do not perform insulation resistance tests on lighting circuits with these downlights or a dimmer switch connected as this can damage the electronic components within them. Mixing different products on the same dimming circuit is not recommended as this can adversely affect dimming performance.

For optimum dimming performance, we recommend a compatible LED dimmer.

NOTE: Some dimmers utilise an automatic test and when switched on it will dim lights up and down to increase performance. Where this occurs, please allow this to finish before adjusting the light level.

We recommend setting the dimmer switch to maximum brightness when switching on to ensure all lights switch on together.