



INTUMESCENT FIRE AND ACOUSTIC COVERS FOR DOWNLIGHTS



**PLEASE READ THESE INSTRUCTIONS CAREFULLY BEFORE INSTALLATION
LEAVE A COPY FOR THE USER / MAINTENANCE ENGINEER FOR FUTURE REFERENCE**

FEATURES

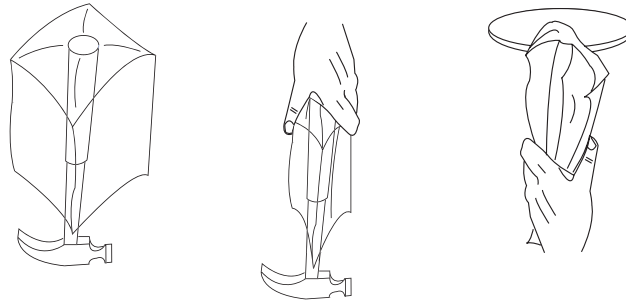
- Used in installations to maintain the integrity of fire rated and/or acoustic rated ceilings where downlights are installed.
- The cover features a top layer of Intumescent material which, in the event of a fire, drops down and completely seals the downlight and cut-out from fire from the room below.
- When installed with a downlight the construction of the cover will also maintain the acoustic attributes of the ceiling.
- Self ventilating material allows the heat from the lamp to dissipate reducing early failure of lamps and downlight/cable overheating risk.
- Adjustable fixing brackets (no tools required) allow fitting into 9 – 32mm thick ceilings.
- Covered by 'Failure to Perform' insurance, subject to correct installation.

KEY FEATURES

- Suitable for 30 & 60 minute fire rated ceilings.
- Aurora Fire and Acoustic covers are flexible, light and can be installed from below or above the ceiling.
- Self supporting. No screws or additional fixings required.
- Rectangular design reduces the number of covers required for popular downlight sizes.
- Covers a wide range of low and mains voltage downlights:
 - AU-FH150 – cut-out 44mm – 80mm
 - AU-FH150/105 – cut-out 44mm – 80mm. For use with smaller ceiling voids.
 - AU-FH200 – cut-out 75mm – 115mm
 - AU-FH250 – cut-out 100mm – 140mm
- DO NOT exceed the maximum cut-out dimension stated for each intumescent cover.
- May be used in plasterboard, suspended or concrete ceilings.
- No maintenance required.
- Non-toxic and unaffected by moisture.
- Tested on downlights with plastic ceiling fixing clips.
- Once fitted allows normal installation of the downlight.
- Fire Resistance test in accordance with BS476: Part 21.
- Resistance to Airborne and Impact sound in accordance with BS EN ISO 140-3 & BS EN ISO 140-6.

INSTALLATION INSTRUCTIONS

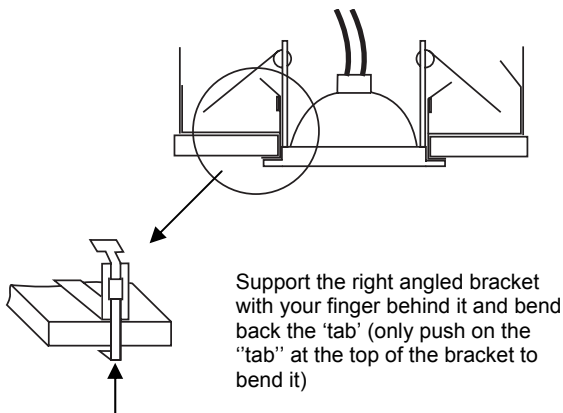
1. Ensure that any thermal insulation materials are completely clear of the area surrounding the position of the intumescent protection cover. This is to maintain the cover's self ventilating ability. A clearance of 50mm is required around the cover. The cover **MUST NOT** under any circumstances be covered with thermal insulating material.
2. Place the middle of the top section on the end of a hammer handle and squash the cover down with the other hand. Remove the hammer and push the cover through the downlight cut-out hole in the ceiling. Ensure that the fixing brackets are at the bottom to push through and fix to the ceiling structure.



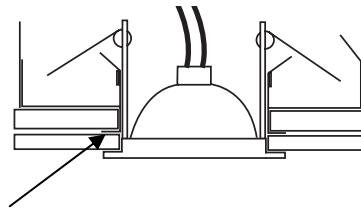
3. Fix the cover in position using the fixing brackets according to the ceiling construction. See below.

For single & double skin plasterboard / concrete or suspended ceilings slide the ends of the fixing clips up against the ceiling and bend the back of the fixing clip over to secure it. Alternatively push the point of the bracket into the plasterboard.

Alternatively, for double skinned plasterboard ceilings push the ends of the fixing clips between the two layers of plasterboard and bend the back of the fixing clip over to secure it.



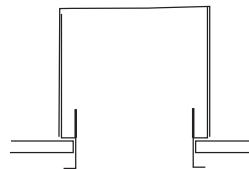
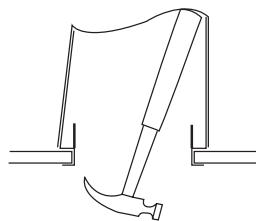
Support the right angled bracket with your finger behind it and bend back the 'tab' (only push on the "tab" at the top of the bracket to bend it)



End of fixing clip between layers of plasterboard

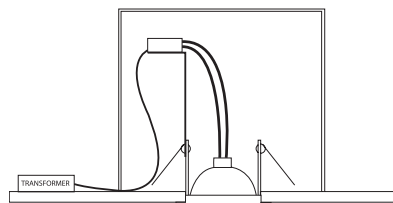
4. With the cover is fixed in position use the handle of a hammer or screwdriver to spread it to its full size. Do not use a sharp implement to do this.

5. Where possible, for ease of installation fit from above. Open cover out and position fixing brackets so that the sliding fixing clip drops through the cut-out. Then as per the previous diagram, from below slide up the retaining clip and bend back to lock in place.



6. The downlight can then be connected & fitted into the cut-out. Follow the manufacture's instructions.

The supply cable to the downlight (mains or low voltage) should enter the downlight cover from underneath its rim.
DO NOT ENCLOSE A LOW VOLTAGE LIGHTING TRANSFORMER INSIDE THE DOWNLIGHT COVER



Guarantee

This is a guaranteed product, subject to conditions set out below, against 'failure to perform' and in the unlikely event of failure will be replaced free of charge by the manufacturer on it's return. The guarantee is invalid in the case of improper use or installation, tampering, removal of the Q.C. date label, installation in an unsuitable working environment, installation not in accordance with the current edition of the I.E.E. Wiring Regulations (BS7671), these instructions or removal of the product from the installation without prior approval from Aurora. Aurora does not accept responsibility for any installation or site visit costs associated with replacement of this product. Aurora reserves the right to alter specifications without prior notice.