

EVENTUALLY, YOU MAY WANT TO REPLACE THIS PRODUCT:

Regulations require the recycling of Waste from Electrical and Electronic Equipment (European "WEEE Directive" effective August 2005—UK WEEE Regulations effective 2nd January 2007). Environment Agency Registered Producer: WEE/GA0248QZ.

WHEN YOUR PRODUCT COMES TO THE END OF ITS LIFE OR YOU CHOOSE TO REPLACE IT, PLEASE RECYCLE IT WHERE FACILITIES EXIST - DO NOT DISPOSE WITH HOUSEHOLD WASTE.

LAMP REPLACEMENT:

The light source is designed to last the lifetime of the luminaire.

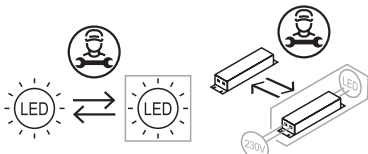
The light source contained in this luminaire shall only be replaced by the manufacturer, service agent or a similar qualified person.

CAUTION, RISK OF ELECTRIC SHOCK.

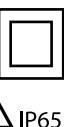


INDUSTRIAL BATTERIES:

Within certain products Eterna Lighting Ltd places lead acid, lithium ion, nickel cadmium & nickel metal hydride batteries on the market. Industrial batteries are subject to waste regulation under the Waste Batteries and Accumulators Regulations 2009 and should be disposed of responsibly. Purchasers may be able to dispose of their waste industrial batteries locally via legitimate licensed trade waste contractors. Eterna is obliged to take back, free of charge and within a reasonable time, waste industrial batteries of the same chemistry supplied to a Purchaser, for treatment and recycling and is required to do this in any calendar year new industrial batteries are placed on the market. In certain circumstances, this may include batteries not originally supplied by Eterna. If any Purchaser requires Eterna to take back Industrial batteries, they should write to the Operations Director, Eterna Lighting Ltd, Huxley Close, NN8 6AB, who will then advise on the necessary arrangements for the receipt, proper treatment and recycling of, the waste industrial batteries.



See website for more information on replacability and recycling



BATTERY REPLACEMENT:

If after routine operation check, the lamp does not remain lit for the three hour period, a new battery pack may be required.

01. Switch off the electricity at the mains (both permanent live and switch live) and allow batteries to fully discharge then reconnect to supply and allow charging for 24 hours.
02. Test again for 3 hours, if light does not remain lit, then change the battery pack as follows:
03. Remove the diffuser.
04. Remove the battery case from the gear tray, remove the battery and cut the wires.
05. Write current date on the new battery pack and fit a new battery with a suitable connector.
06. Refit gear tray and diffuser.
07. Restore power and allow charging for 24 hours.
08. Perform full operation check and update test record.

REPLACEMENT BATTERY TYPE:

3.2V 1500mAh Lithium

CLEANING:

Clean this fitting only with a soft dry cloth.

Do not use any chemical or abrasive cleaners.

IF YOU EXPERIENCE PROBLEMS:

If you believe your product is defective, please return it to the place where you bought it. Our Technical Team will gladly advise on any Eterna Lighting product, but may not be able to give specific instructions regarding individual installations.

 **Eterna**
Everyday Lighting For Professionals

INSTALLATION INSTRUCTIONS

A guide for qualified electricians

3 HOURS DURATION IN EMERGENCY MODE



Pack contents:
1 x Base
1 x Diffuser
1 x Maintenance check record

Model:

PRSQEM3 / PRCIREM3
OPSQEM3 / OPCIREM3

Power & Colour Temperature Selectable
Emergency IP65 LED Utility Fitting

These instructions are provided as a guideline to assist you.

PLEASE READ THESE INSTRUCTIONS BEFORE INSTALLATION
AND RETAIN FOR FUTURE REFERENCE

Email: sales@eterna-lighting.co.uk / technical@eterna-lighting.co.uk

READ THIS FIRST:

Check the pack and make sure you have all of the parts listed on the front of this booklet. If not, contact the outlet where you bought this product.

This product must be installed by a competent person in accordance with the current building and IEE wiring regulations.

As the buyer, installer and/or user of this product it is your own responsibility to ensure that this fitting is fit for the purpose for which you have intended it. Eterna Lighting cannot accept any liability for loss, damage or premature failure resulting from inappropriate use.

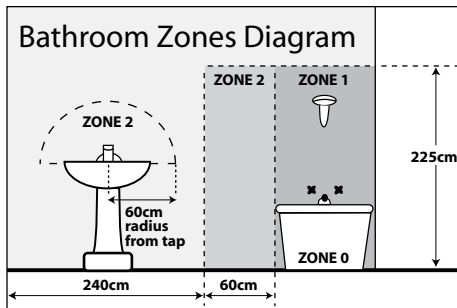
This product is designed and constructed according to the principles of the appropriate British Standard and is intended for normal domestic service. Using this fitting in any other environments may result in a shortened working life, for example where there is prolonged periods of use or higher than normal ambient temperatures such as lighting public or shared spaces or in nursing /care home facilities.

Switch off the mains before commencing installation and remove the appropriate circuit fuse or lock off MCB.

Suitable for outdoor use.

This product is suitable for use in living areas, Bathroom Zone 2 and outside of zones.

If being fitted in a bathroom a 30mA RCD must be used.



This product is designed for permanent connection to fixed wiring: this must be a suitable circuit (protected with the appropriate MCB or fuse).

This product is suitable for installation on surfaces with normal flammability e.g. wood, plasterboard and masonry. It is not suitable for use on highly flammable surfaces (e.g. polystyrene, textiles).

Before making fixing hole(s), check that there are no obstructions hidden beneath the mounting surface such as pipes or cables.

The chosen location of your new fitting should allow for the product to be securely mounted (e.g.

to a ceiling joist) and safely connected to the mains supply (lighting circuit).

When making connections ensure that the terminals are tightened securely and that no strands of wire protrude. Check that the terminals are tightened onto the bared conductors and not onto any insulation.

This product is double insulated, do not connect any part to Earth.

This product is not intended to be used by children and persons with sensory, physical and/or mental impairments that would prevent them from using it safely.

You are advised at every stage of your installation to double-check any electrical connections you have made. After you have completed your installation there are electrical tests that should be carried out, these tests are specified in the current IEE wiring and building regulations.

The batteries supplied with this fitting are a consumable part and therefore may be outside of any warranty offered.

INSTALLATION:

Isolate mains and lock off.

Choose the location of your new fitting giving consideration to all of the points listed above.

01. Unscrew gear tray screw and allow the gear tray to rest on its hinge.
02. Drill holes in the back of your fitting for your fixing screws, take care and drill gently to ensure a clean hole through. Use a drill bit sized appropriately to your fixing screws (not supplied).
03. Using the back of your fitting as a template, mark the position of your fixing holes on your mounting surface.
04. Prepare the holes in your mounting surface as appropriate for your fixings.
05. Pierce the rubber grommet in the back of your fitting making a hole just large enough to make a tight fit around the incoming mains cable.
06. Thread the cable through the grommet and offer the fitting to the ceiling / wall.
07. Secure the fitting in place. Note if protection against ingress of moisture is required, the heads of screws must be covered with a silicone or similar sealant.
08. Check that the grommet is still correctly fitted in the cable entry hole and around the incoming cable.

09. Make the electrical connections to the terminal block according to the markings:

Brown to live (L)
Blue to neutral (N)

10. Mark the current date on the battery pack.

11. Ensure that the battery plug is connected to the socket on the driver.

12. Set power to the desired option by selecting appropriate switch setting on the driver:

9W / 14W / 18W options

13. Set colour temperature to the desired option by selecting appropriate switch setting on the driver.

DL	Daylight	6500K
CW	Cool White	4400K
WW	Warm White	3000K

14. Replace gear tray and secure in position.

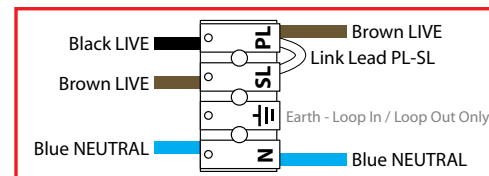
15. Offer the diffuser onto the top of the fitting and tighten securely making sure the gasket is correctly fitted in place.

16. Restore the power and switch on. A green LED light should always be present indicating the fitting is charging.

NOTE: For non-maintained operation, remove link wire from L and L1. For switched operation, remove link wire and make a switched supply into L1.

NOTE: In warm white (3000K) and daylight white (6500K) operation only one set of LEDs will illuminate, in cool white (4400K) both sets of LEDs will illuminate.

An Earth connection is not required for the operation of these Class II luminaires. The addition of the Earth terminal provides a loop-in/loop out facility which allows connectivity through to other Class I luminaires in the same lighting circuit.



OPERATION CHECKS:

Periodic testing should be carried out to ensure emergency lighting is operating correctly. Interruption of the supply, causing the fitting to be energised from the battery, should be carried out by the operation of a local keyswitch or other isolation device. During this period all fittings should be examined visually to ensure that they are functioning correctly. At the end of the test period the supply shall be restored and all indicator lamps or devices checked to ensure that the normal supply has been restored.

DAILY:

Visual inspection of the battery charge LED.

EACH MONTH:

Isolate the power supply for a period sufficient to ensure that each lamp is illuminated. Endorse the test record form supplied.

ONCE EACH YEAR:

Isolate the power supply and check that the light is still illuminated after 3 hours. Endorse the test record form.

Because of the possibility of a failure of the normal lighting supply occurring shortly after a period of testing of the emergency lighting system or during the subsequent recharge period, all full duration tests shall wherever possible be undertaken preceding time of low risk to allow for battery recharge.

NOTE: please keep this instruction booklet and the test record in a safe place. A fire officer or other authorised person may want to see your record of inspection and testing.

CIRCULAR OPAL			
LED LAMP SPECIFICATIONS:	9W	14W	18W
Luminaire lumens (with diffuser): Warm White, Cool White, Daylight White	3000K - 1090 lm 4400K - 1160 lm 6500K - 1130 lm	3000K - 1610 lm 4400K - 1770 lm 6500K - 1700 lm	3000K - 1970 lm 4400K - 2190 lm 6500K - 2080 lm
Lumens from chip (array): Warm White, Cool White, Daylight White	3000K - 1220 lm 4400K - 1300 lm 6500K - 1270 lm	3000K - 1810 lm 4400K - 1990 lm 6500K - 1900 lm	3000K - 2210 lm 4400K - 2470 lm 6500K - 2350 lm
Useful lumens (array): Warm White, Cool White, Daylight White	3000K - 980 lm 4400K - 1050 lm 6500K - 1020 lm	3000K - 1450 lm 4400K - 1600 lm 6500K - 1520 lm	3000K - 1770 lm 4400K - 1970 lm 6500K - 1880 lm
Rated Wattage	9W	14W	18W
Rated luminous flux	3000K - 980 lm 4400K - 1050 lm 6500K - 1020 lm	3000K - 1450 lm 4400K - 1600 lm 6500K - 1520 lm	3000K - 1770 lm 4400K - 1970 lm 6500K - 1880 lm
Nominal life time of the lamp	50,000 hrs	50,000 hrs	50,000 hrs
Colour temperature	3000/4400/6500K	3000/4400/6500K	3000/4400/6500K
Number of switching cycles before premature lamp failure	≥15000	≥15000	≥15000
Warm-up time up to 60% of the full light output	Instant full light	Instant full light	Instant full light
Dimmable	No	No	No
Nominal beam angle	120°	120°	120°
Rated power	9W	14W	18W
Rated lamp lifetime	50,000 hrs	50,000 hrs	50,000 hrs
Displacement factor	0.97	0.97	0.97
Lumen maintenance factor at end of nominal life	≥80	≥80	≥80
Starting time	Instant full light	Instant full light	Instant full light
Colour rendering	≥0.8	≥0.8	≥0.8
Colour consistency	Within 6 step Macadam ellipse	Within 6 step Macadam ellipse	Within 6 step Macadam ellipse
Rated peak intensity	3000K - 243cd 4400K - 260cd 6500K - 252cd	3000K - 361cd 4400K - 396cd 6500K - 378cd	3000K - 441cd 4400K - 492cd 6500K - 468cd
Rated beam angle	120°	120°	120°
Voltage / Frequency	220-240V~50Hz	220-240V~50Hz	220-240V~50Hz
Lumen efficacy	3000K - 121 lm / W 4400K - 129 lm / W 6500K - 126 lm / W	3000K - 115 lm / W 4400K - 126 lm / W 6500K - 121 lm / W	3000K - 109 lm / W 4400K - 122 lm / W 6500K - 116 lm / W
This product contains a Light Source of Energy Efficiency Class F			
Not suitable for accent lighting			

CIRCULAR PRISMATIC			
LED LAMP SPECIFICATIONS:	9W	14W	18W
Luminaire lumens (with diffuser): Warm White, Cool White, Daylight White	3000K - 1180 lm 4400K - 1270 lm 6500K - 1230 lm	3000K - 1715 lm 4400K - 1890 lm 6500K - 1780 lm	3000K - 2055 lm 4400K - 2270 lm 6500K - 2180 lm
Lumens from chip (array): Warm White, Cool White, Daylight White	3000K - 1220 lm 4400K - 1300 lm 6500K - 1265 lm	3000K - 1810 lm 4400K - 1990 lm 6500K - 1890 lm	3000K - 2210 lm 4400K - 2460 lm 6500K - 2350 lm
Useful lumens (array): Warm White, Cool White, Daylight White	3000K - 1140 lm 4400K - 1225 lm 6500K - 1190 lm	3000K - 1630 lm 4400K - 1790 lm 6500K - 1690 lm	3000K - 1950 lm 4400K - 2160 lm 6500K - 2070 lm
Rated Wattage	9W	14W	18W
Rated luminous flux	3000K - 1140 lm 4400K - 1225 lm 6500K - 1190 lm	3000K - 1630 lm 4400K - 1790 lm 6500K - 1690 lm	3000K - 1950 lm 4400K - 2160 lm 6500K - 2070 lm
Nominal life time of the lamp	50,000 hrs	50,000 hrs	50,000 hrs
Colour temperature	3000/4400/6500K	3000/4400/6500K	3000/4400/6500K
Number of switching cycles before premature lamp failure	≥15000	≥15000	≥15000
Warm-up time up to 60% of the full light output	Instant full light	Instant full light	Instant full light
Dimmable	No	No	No
Nominal beam angle	120°	120°	120°
Rated power	9W	14W	18W
Rated lamp lifetime	50,000 hrs	50,000 hrs	50,000 hrs
Displacement factor	0.97	0.97	0.97
Lumen maintenance factor at end of nominal life	≥80	≥80	≥80
Starting time	Instant full light	Instant full light	Instant full light
Colour rendering	≥0.8	≥0.8	≥0.8
Colour consistency	Within 6 step Macadam ellipse	Within 6 step Macadam ellipse	Within 6 step Macadam ellipse
Rated peak intensity	3000K - 398cd 4400K - 428cd 6500K - 415cd	3000K - 570cd 4400K - 627cd 6500K - 592cd	3000K - 683cd 4400K - 754cd 6500K - 722cd
Rated beam angle	120°	120°	120°
Voltage / Frequency	220-240V~50Hz	220-240V~50Hz	220-240V~50Hz
Lumen efficacy	3000K - 131 lm / W 4400K - 141 lm / W 6500K - 137 lm / W	3000K - 122 lm / W 4400K - 135 lm / W 6500K - 127 lm / W	3000K - 114 lm / W 4400K - 126 lm / W 6500K - 121 lm / W
This product contains a Light Source of Energy Efficiency Class F			
Not suitable for accent lighting			

SQUARE OPAL			
LED LAMP SPECIFICATIONS:	9W	14W	18W
Luminaire lumens (with diffuser): Warm White, Cool White, Daylight White	3000K - 1080 lm 4400K - 1150 lm 6500K - 1120 lm	3000K - 1630 lm 4400K - 1770 lm 6500K - 1700 lm	3000K - 1980 lm 4400K - 2200 lm 6500K - 2070 lm
Lumens from chip (array): Warm White, Cool White, Daylight White	3000K - 1210 lm 4400K - 1290 lm 6500K - 1260 lm	3000K - 1830 lm 4400K - 1995 lm 6500K - 1900 lm	3000K - 2220 lm 4400K - 2470 lm 6500K - 2330 lm
Useful lumens (array): Warm White, Cool White, Daylight White	3000K - 970 lm 4400K - 1040 lm 6500K - 1010 lm	3000K - 1460 lm 4400K - 1600 lm 6500K - 1530 lm	3000K - 1780 lm 4400K - 1980 lm 6500K - 1870 lm
Rated Wattage	9W	14W	18W
Rated luminous flux	3000K - 970 lm 4400K - 1040 lm 6500K - 1010 lm	3000K - 1460 lm 4400K - 1600 lm 6500K - 1530 lm	3000K - 1780 lm 4400K - 1980 lm 6500K - 1870 lm
Nominal life time of the lamp	50,000 hrs	50,000 hrs	50,000 hrs
Colour temperature	3000/4400/6500K	3000/4400/6500K	3000/4400/6500K
Number of switching cycles before premature lamp failure	≥15000	≥15000	≥15000
Warm-up time up to 60% of the full light output	Instant full light	Instant full light	Instant full light
Dimmable	No	No	No
Nominal beam angle	120°	120°	120°
Rated power	9W	14W	18W
Rated lamp lifetime	50,000 hrs	50,000 hrs	50,000 hrs
Displacement factor	0.97	0.97	0.97
Lumen maintenance factor at end of nominal life	≥80	≥80	≥80
Starting time	Instant full light	Instant full light	Instant full light
Colour rendering	≥0.8	≥0.8	≥0.8
Colour consistency	Within 6 step Macadam ellipse	Within 6 step Macadam ellipse	Within 6 step Macadam ellipse
Rated peak intensity	3000K - 223cd 4400K - 239cd 6500K - 223cd	3000K - 338cd 4400K - 368cd 6500K - 353cd	3000K - 411cd 4400K - 456cd 6500K - 432cd
Rated beam angle	120°	120°	120°
Voltage / Frequency	220-240V~50Hz	220-240V~50Hz	220-240V~50Hz
Lumen efficacy	3000K - 120 lm / W 4400K - 128 lm / W 6500K - 124 lm / W	3000K - 116 lm / W 4400K - 126 lm / W 6500K - 121 lm / W	3000K - 110 lm / W 4400K - 122 lm / W 6500K - 115 lm / W
This product contains a Light Source of Energy Efficiency Class F			
Not suitable for accent lighting			

SQUARE PRISMATIC			
LED LAMP SPECIFICATIONS:	9W	14W	18W
Luminaire lumens (with diffuser): Warm White, Cool White, Daylight White	3000K - 1150 lm 4400K - 1250 lm 6500K - 1200 lm	3000K - 1730 lm 4400K - 1870 lm 6500K - 1830 lm	3000K - 2100 lm 4400K - 2360 lm 6500K - 2200 lm
Lumens from chip (array): Warm White, Cool White, Daylight White	3000K - 1200 lm 4400K - 1300 lm 6500K - 1260 lm	3000K - 1830 lm 4400K - 2000 lm 6500K - 1910 lm	3000K - 2220 lm 4400K - 2470 lm 6500K - 2330 lm
Useful lumens (array): Warm White, Cool White, Daylight White	3000K - 1100 lm 4400K - 1200 lm 6500K - 1160 lm	3000K - 1640 lm 4400K - 1760 lm 6500K - 1670 lm	3000K - 2000 lm 4400K - 2240 lm 6500K - 2100 lm
Rated Wattage	9W	14W	18W
Rated luminous flux	3000K - 1100 lm 4400K - 1200 lm 6500K - 1160 lm	3000K - 1640 lm 4400K - 1760 lm 6500K - 1670 lm	3000K - 2000 lm 4400K - 2240 lm 6500K - 2100 lm
Nominal life time of the lamp	50,000 hrs	50,000 hrs	50,000 hrs
Colour temperature	3000/4400/6500K	3000/4400/6500K	3000/4400/6500K
Number of switching cycles before premature lamp failure	≥15000	≥15000	≥15000
Warm-up time up to 60% of the full light output	Instant full light	Instant full light	Instant full light
Dimmable	No	No	No
Nominal beam angle	120°	120°	120°
Rated power	9W	14W	18W
Rated lamp lifetime	50,000 hrs	50,000 hrs	50,000 hrs
Displacement factor	0.97	0.97	0.97
Lumen maintenance factor at end of nominal life	≥80	≥80	≥80
Starting time	Instant full light	Instant full light	Instant full light
Colour rendering	≥0.8	≥0.8	≥0.8
Colour consistency	Within 6 step Macadam ellipse	Within 6 step Macadam ellipse	Within 6 step Macadam ellipse
Rated peak intensity	3000K - 425cd 4400K - 459cd 6500K - 447cd	3000K - 628cd 4400K - 675cd 6500K - 640cd	3000K - 767cd 4400K - 860cd 6500K - 805cd
Rated beam angle	120°	120°	120°
Voltage / Frequency	220-240V~50Hz	220-240V~50Hz	220-240V~50Hz
Lumen efficacy	3000K - 128 lm / W 4400K - 139 lm / W 6500K - 133 lm / W	3000K - 124 lm / W 4400K - 134 lm / W 6500K - 131 lm / W	3000K - 117 lm / W 4400K - 131 lm / W 6500K - 122 lm / W
This product contains a Light Source of Energy Efficiency Class E			
Not suitable for accent lighting			