

## GL090 Flood/Spot

[Close window](#) | [Print](#)


GL090 Flood

GL090 Spot

The GL090 ground light may look elegant and understated, but it's light output is greater than a 35w dichroic. The new LED technology contained inside produces more than twice the light output of its competent predecessor, 2150 Lux at 1m. As you'd expect from Collingwood the body is marine grade stainless steel and the glass is toughened 5mm. Also with the added benefit of being IP68 meaning it can be fully submersed.



GL090 Flood

GL090 Spot

**Part number:** GL090 Flood/Spot  
9watt LED ground light

- **Input:** 700mA driver(see below LED Drivers)
- **IP Rating:** IP68 @ 2m
- **LED Output:** 9watt Max.
- **LED Beam angle:** 45° Flood ; 12° Spot
- **Material :** Stainless steel 316
- **Cable:** 3m 2core cable
- **Glass Temp:** 55&degC
- **Wiring:** Series
- **Hole size:** 65mm
- **Product weight:** 0.82kg
- **Single carton dims:** 12x10x9cms
- **Available colours:** Cool White, Warm White, & Blue

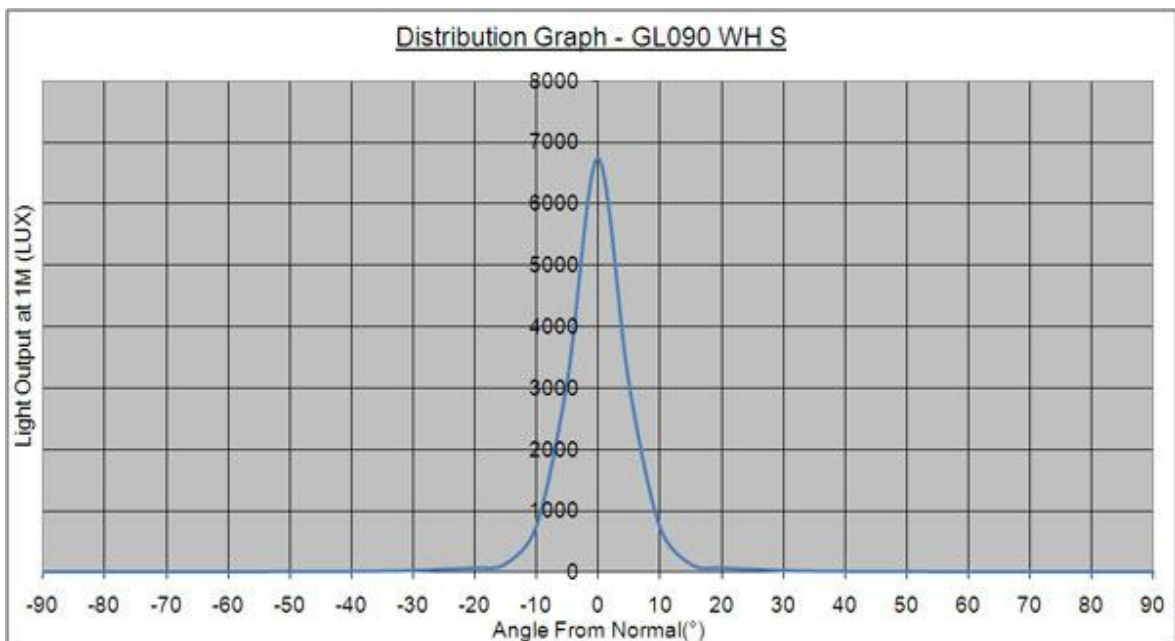
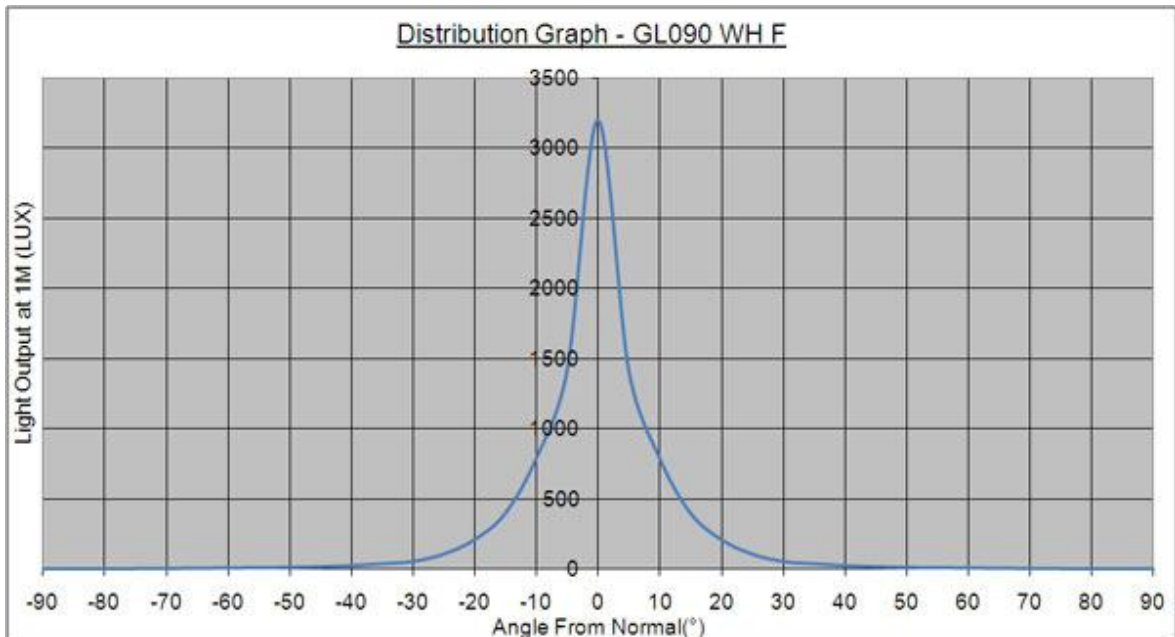


### Light output information

Colour-White	Lumens	Lumens per w	Colour Temp	CRI
<b>Flood</b>				
Cool	351	50.2	5931	78
Warm	124	18	2870	93
<b>Spot</b>				
Warm	145	21	2870	93

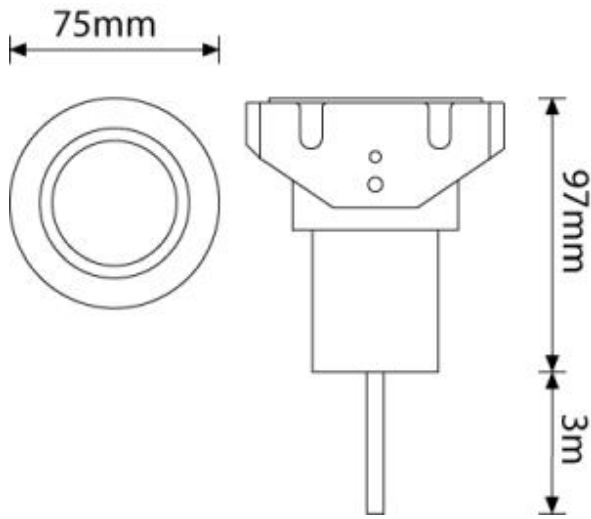
**Elumdat files**

- Elumdat file name: [GL090 F CW](#)
- Elumdat file name: [GL090 F WW](#)
- Elumdat file name: [GL090 S WW](#)

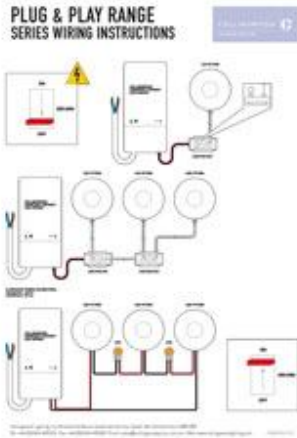
**Photometric Data****LED Drivers**

Model Number	Input / output	Technical info
PLU 700 3-9	230-240V AC / 700mA	3 – 9 x 3w non dimmable
PLD Unidrive 700	230-240V AC / 700mA	1 – 8 x 3w dimmable 0-10v
PLD 350 3-27	230-240V AC / 700mA	1 – 5 x 3w dimmable push to make

**Dimensions**



**Installation instructions**



**Additional information**

