

**Product selected: HI-Spot 120 100W SP 10°**

Hi-Spot® 120 mains voltage halogen lamps with E27 cap and aluminium reflector are completely interchangeable with R120 incandescent reflector lamps. Upgrading to beautiful halogen light could not be quicker or easier

Applications
<ul style="list-style-type: none"> <li>- For use in mains voltage ES/E27 cap downlights, spotlights and luminaires</li> <li>- For precision or decorative lighting in retail, commercial and domestic applications</li> <li>- Suitable for outdoor use when protected from direct contact with water</li> </ul>

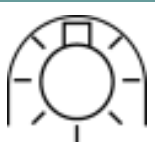
Features
<ul style="list-style-type: none"> <li>- Halogen light without the need for a transformer</li> <li>- Unique, patented, computer designed spiral faceted aluminised reflector</li> <li>- Wattages 75W and 100W</li> <li>- Beam angles 10° and 30°</li> <li>- Excellent colour rendering</li> <li>- Can be dimmed using standard dimmer switches</li> <li>- The use of UV-Stop materials dramatically reduces UV emissions</li> <li>- Average rated life: 3000 hours</li> </ul>

Product Attributes	
Item description	HI-Spot 120 100W SP 10°
Bulb shape	Reflector
Bulb finish / Light colour	Aluminium
Nominal wattage (W)	100
Nominal Voltage (V)	230
Cap	E27
Maximum Lamp length L [mm]	136
Diameter D [mm]	124
Colour temperature (K)	2900
Ordering Code	0021144

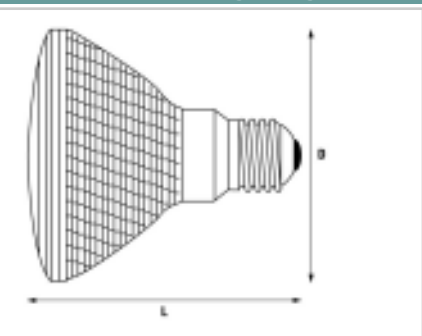
**Product Image**



**Fixture rating**

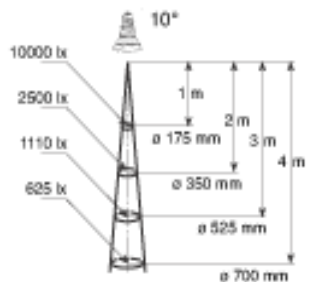


**Product line drawing (image)**



**Cone diagram (image)**

**Hi-Spot 120 - 100W/10°**



**Cap (image)**

