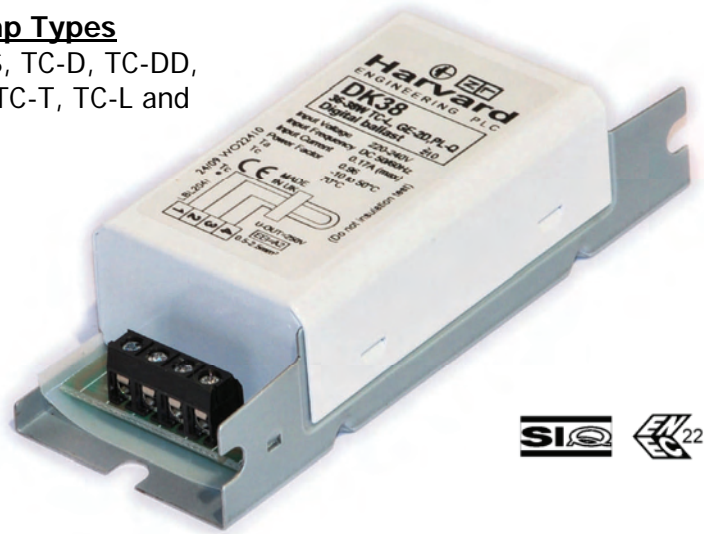


DK - Ballast For Fluorescent Lamps

Lamp Types

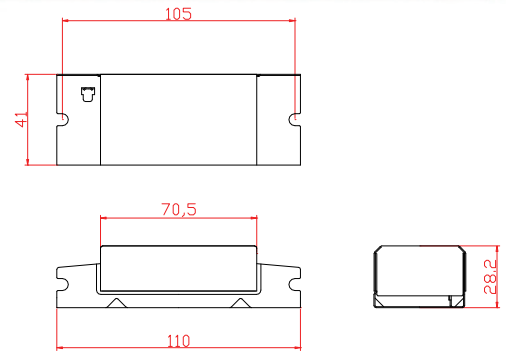
TC-S, TC-D, TC-DD,
T5, TC-T, TC-L and
T8



- British manufacture and design
- Power factor correction to comply with all current specifications for EMC and harmonics
- Precise preheat control for improved lamp life
- Enhanced thermal characteristics for cooler running
- Compact design fits on standard choke footprint
- Operates on 220V - 240V AC/DC
- Failed lamp safety shut down eliminates end of life flicker

Technical Specification

DK Range Single	Lamp	Wattage
DK08	T5	8W
DK13	TC-S/ PL-S	7W, 9W, 11W
	T5	6-14W
	TC-D/ PL-C	10W, 11W, 13W
	TC-DD	10W, 16W
DK16	2D/ PL-Q	16W
DK18	TC-D/ PL-C	18W
	TC-T / PL-T	18W
DK18L	TC-L / PL-L	18W
	T8	18W
DK21	2D/ PL-Q	21W
DK22-T5	T5	21-22W
DK22-T8	T8	21-22W
DK26	TC-L / PL-L	24W
	TC-D/ PL-C	26W
	TC-T/ PL-T	26W
DK28	2D/ PL-Q	28W
DK28/70	2D / PL-Q	28W @ 70% current
DK32	TC-T/ PL-T	32W
DK38	TC-F	36W
	TC-L/ PL-L	36W
	T8	36W
	2D/ PL-Q	38W
DK38/70	2D/ PL-Q	38W @ 70% current



DK Range Twin	Lamp	Wattage
DKE213	TC-S x 2	7W, 9W, 11W
	T5 x 2	6-14W
	TC-D / PL-C x 2	10W, 11W, 13W
	TC-DD x 2	10W, 16W
DK218L	TC-L / PL-L x 2	18W
	T8 x 2	18W

Part number	DK
AC voltage range	220-240V
Mains frequency range	AC/DC, 50-60Hz
Power factor	>0.95
Max. case temperature Tc	75°C
Ambient temperature range	-10°C to 50°C
Weight	190g
Safety standard compliance	BS EN 61347