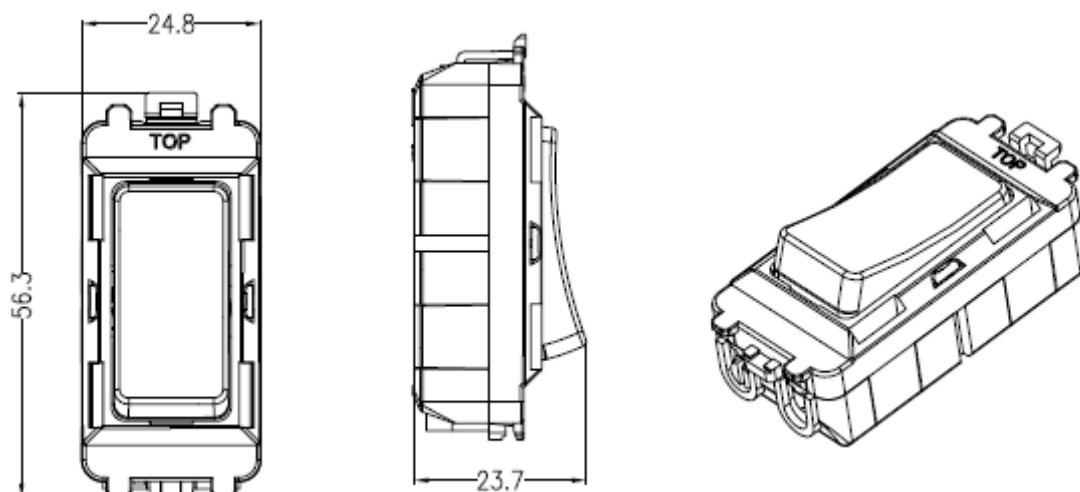


## 20AX 2-Way SP Module



MLA part code	GDM001BC	GDM001MW	GDM001PC	GDM001U
Description	20AX 2 way Single Pole grid module			
Finish	Brushed chrome	Matt white	Polished chrome	White
Nett weight (kg)	0.027			
Maximum load	20A			
Dimensions (mm)	Height – 56.3 Width – 24.8 Projection – 23.7			
Terminal capacity	3 x 2.5mm <sup>2</sup>			
Input voltage	Mains 230V 50Hz			
Construction	Steel / ABS			
Minimum mounting depth (mm)	35			
IP rating	IP20			
Warranty	15 Years			
Origin of Manufacture	China			
Declaration of Conformity (held on file)	Yes			
Manufactured in accordance with	BS EN 60669-1			
EAN	5055832963431	5055832963448	5055832963455	5055832963462

