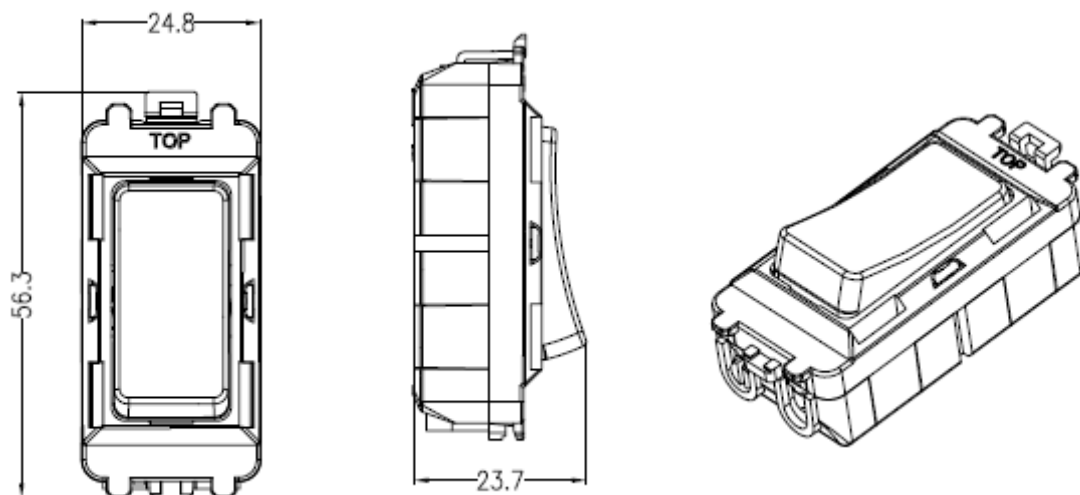


20AX 2-Way SP Module (Centre Off)



MLA part code	GDM004BC	GDM004MW	GDM004PC	GDM004U
Description	20AX 2-Way SP Module (Centre Off)			
Finish	Brushed chrome	Matt white	Polished chrome	White
Nett weight (kg)	0.021			
Maximum load	20A			
Dimensions (mm)	Height – 56.3 Width – 24.8 Projection – 23.7			
Terminal capacity	3 x 2.5mm ²			
Input voltage	Mains 230V 50Hz			
Construction	Steel / ABS			
Minimum mounting depth (mm)	35			
IP rating	IP20			
Warranty	15 Years			
Origin of Manufacture	China			
Declaration of Conformity (held on file)	Yes			
Manufactured in accordance with	BS EN 60669-1			
EAN	5055832963554	5055832963561	5055832963578	5055832963585

