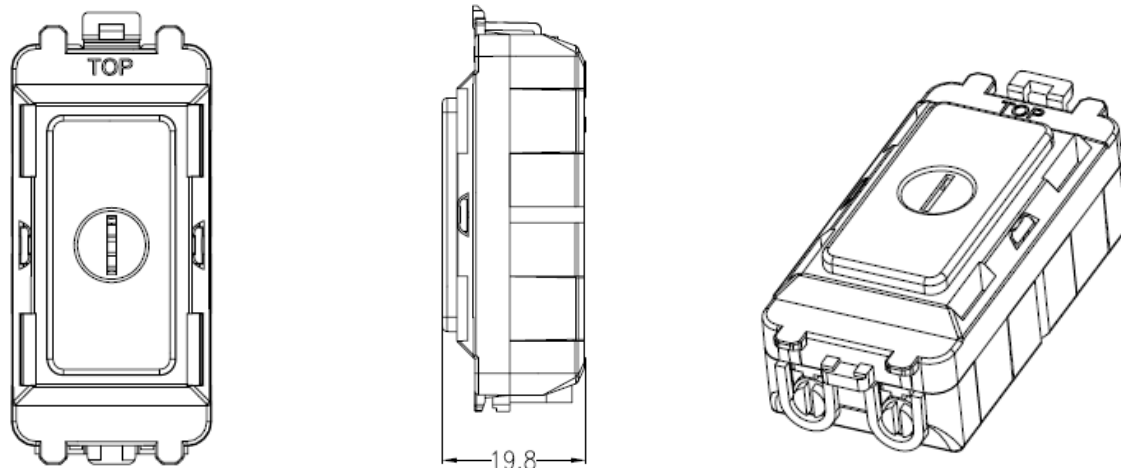


DATA SHEET:

GDM010 Series

20AX DP Key Module



MLA part code	GDM010BC	GDM010MW	GDM010PC	GDM010U
Description	20AX DP key module			
Finish	Brushed chrome	Matt white	Polished chrome	White
Nett weight (kg)	0.026			
Maximum load	20A			
Dimensions (mm)	Height – 56.3 Width – 24.8 Projection – 19.8			
Terminal capacity	3 x 2.5mm ²			
Input voltage	Mains 230V 50Hz			
Construction	Steel / ABS			
Minimum mounting depth (mm)	35			
IP rating	IP20			
Warranty	15 Years			
Origin of Manufacture	China			
Declaration of Conformity (held on file)	Yes			
Manufactured in accordance with	BS EN 60669-1			
EAN	5055832963790	5055832963806	5055832963813	5055832963820

