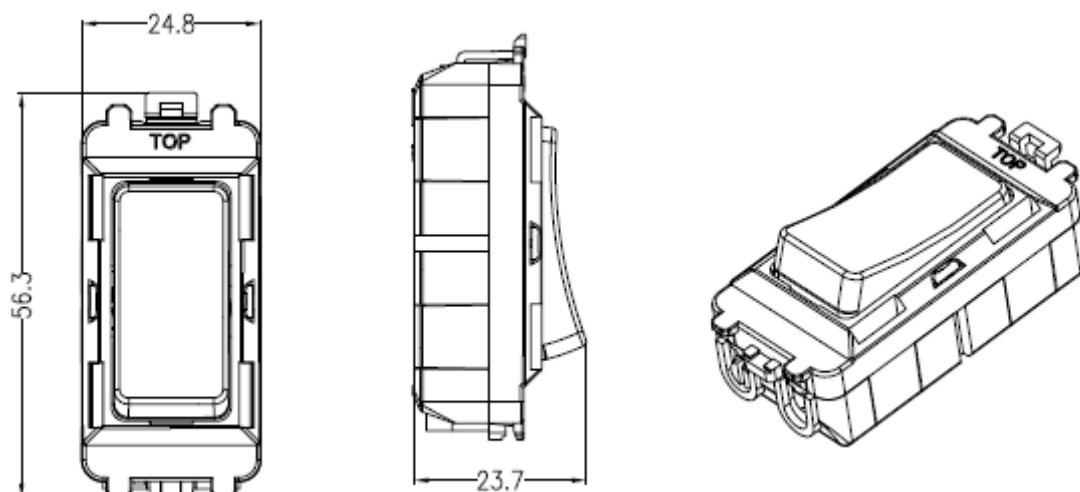


20AX DP Module with Neon Indicator



MLA part code	GDM003BC	GDM003MW	GDM003PC	GDM003U
Description	20AX DP Module With Indicator			
Finish	Brushed chrome	Matt white	Polished chrome	White
Nett weight (kg)	0.025			
Maximum load	20A			
Dimensions (mm)	Height – 56.3 Width – 24.8 Projection – 23.7			
Terminal capacity	3 x 2.5mm ²			
Input voltage	Mains 230V 50Hz			
Construction	Steel / ABS			
Minimum mounting depth (mm)	35			
IP rating	IP20			
Warranty	15 Years			
Origin of Manufacture	China			
Declaration of Conformity (held on file)	Yes			
Manufactured in accordance with	BS EN 60669-1			
EAN	5055832963516	5055832963523	5055832963530	5055832963547

