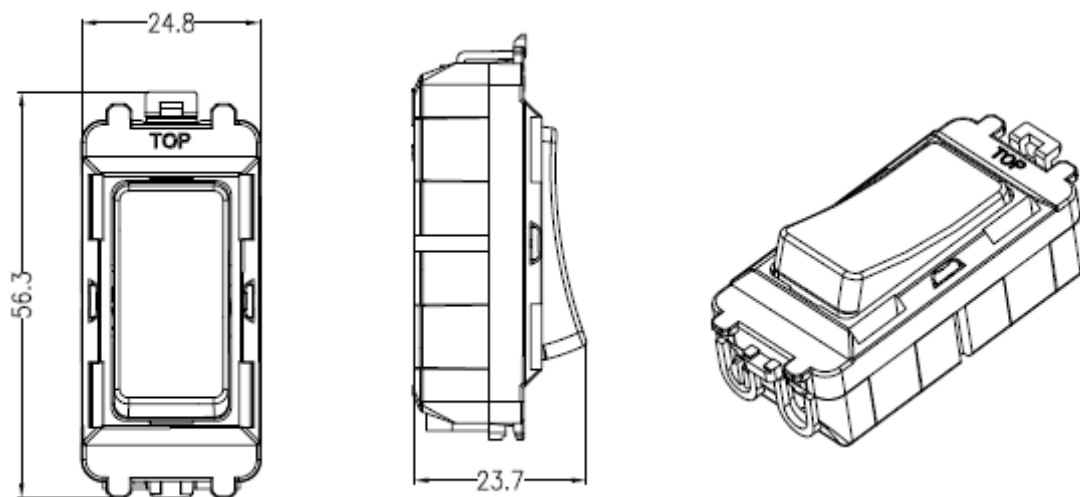


20AX Intermediate Module



MLA part code	GDM005BC	GDM005MW	GDM005PC	GDM005U
Description	20AX Intermediate Module			
Finish	Brushed chrome	Matt white	Polished chrome	White
Nett weight (kg)	0.027			
Maximum load	20A			
Dimensions (mm)	Height – 56.3 Width – 24.8 Projection – 23.7			
Terminal capacity	3 x 2.5mm ²			
Input voltage	Mains 230V 50Hz			
Construction	Steel / ABS			
Minimum mounting depth (mm)	35			
IP rating	IP20			
Warranty	15 Years			
Origin of Manufacture	China			
Declaration of Conformity (held on file)	Yes			
Manufactured in accordance with	BS EN 60669-1			
EAN	5055832963592	5055832963608	5055832963615	5055832963622

