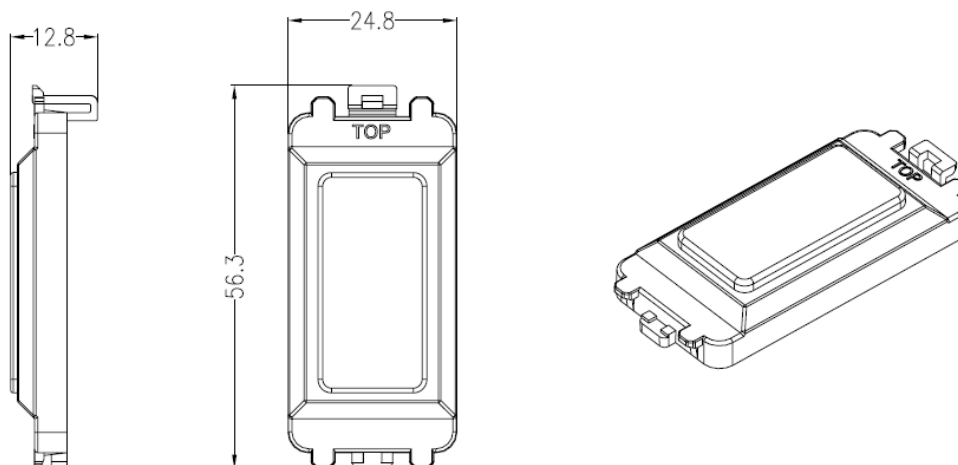


# DATA SHEET:

## GDM013 Series

### 1G Blank Module



MLA part code	GDM013BC	GDM013MW	GDM013PC	GDM013U
Description	1 Gang blank module			
Finish	Brushed chrome	Matt white	Polished chrome	White
Nett weight (kg)	0.001			
Dimensions (mm)	Height – 56.3 Width – 24.8 Projection – 12.8			
Construction	Steel & ABS			
IP rating	IP20			
Warranty	15 Years			
Origin of Manufacture	China			
Declaration of Conformity (held on file)	Yes			
Manufactured in accordance with	BS 5733			
EAN	5055832963912	5055832963929	5055832963936	5055832963943

