

# KTC LED.Home 5.5W Twisted Candle

## 5.5W E14 Candle Lamp



### Product Overview

Kosnic's Home range of LED products brings the energy saving capabilities of LED technology to the home. The KTC Candle range is both beautiful and functional giving a quality of light that creates inviting living spaces while offering lamps that deliver huge energy savings over filament lamps without compromising on brightness. The lamps can quickly replace filament products in domestic and hospitality lighting applications, and once in place rapid payback is achieved.

### Features

- Metallic finishing to compliment chandeliers and decorative schemes.
- Popular E14 cap.
- Available in brass, bronze and silver finish.
- Save energy up to 85% compared with a filament lamp.
- High lumen output.
- Long life of 30,000h.
- Instant start.
- Negligible UV output.
- Mercury free.

### Safety and Maintenance

- Switch off supply before installing or removing lamp. Allow to cool before handling.
- Do not use in totally enclosed fittings as this will reduce lamp life.
- Do not dispose of in household waste.
- Dispose of in appropriate section of local civic amenity site or recycling centre.

### Specifications

<b>Product Code</b>	<b>KTC5.5TWT/E14-BAS-N30 (Brass)</b> <b>KTC5.5TWT/E14-BOZ-N30 (Bronze)</b> <b>KTC5.5TWT/E14-SLV-N30 (Silver)</b>
Lamp Cap	E14
Lamp Shape	Twisted Candle
Nominal Power (W)	5.5
Voltage	220-240Vac 50-60Hz
Current (mA)	45
Nominal Luminous Flux (lm)	360
CCT (K)	3000K Warm White
Nominal Lifetime (h)	30000
Dimmable	No
Switching Cycles	50000
Warm-up time to 60% (S)	Instant full light
Length (mm)	120
Diameter (mm)	37
Mercury (mg)	0
Clean-up instructions	N/A
Retrofit	No
Equivalent Wattage (W)	33
Rated Power (W)	5.5
Rated Luminous Flux (lm)	360
Rated Lifetime (h)	30000
Power Factor	0.53
Rated Peak Candelas (cd)	8
Lumen Maintenance Factor at Nominal Lifetime	0.75
SDCM of CCT	<6
CRI	82
Start Time (s)	0.38
Ambient Temperature Range (°C)	-20 to 40

### Energy Label

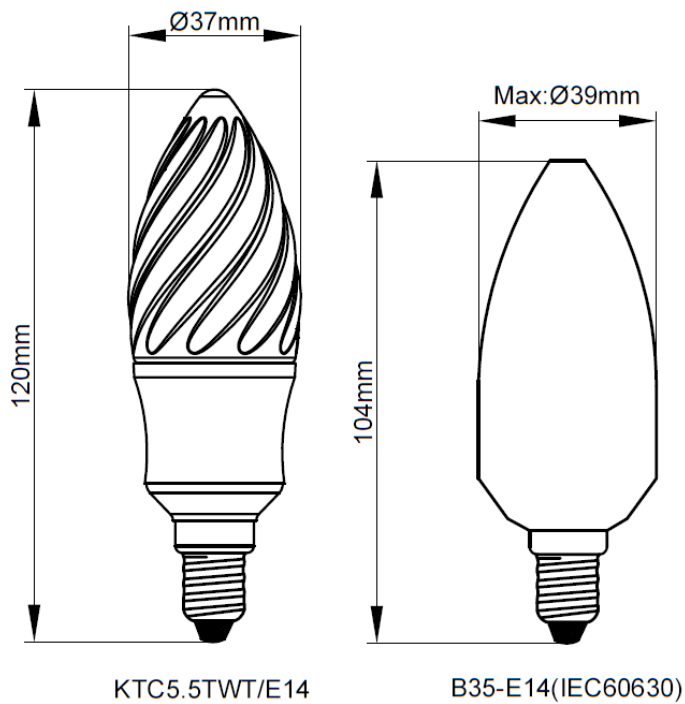
<b>Manufacturer</b>	Kosnic
<b>Product Code</b>	KTC5.5TWT/E14-BAS-N30 KTC5.5TWT/E14-BOZ-N30 KTC5.5TWT/E14-SLV-N30
<b>Energy Class</b>	A+
<b>Energy Consumption (kWh/1000h)</b>	5.50 (6)*

Note: The kWh/1000h value published on the energy label is required to be rounded up to an integer according to the EU implementing directive on Energy Labelling. The value to 2 decimal places is given for reference.

### Product Markings

Manufacturer	Kosnic
Product Code	KTC5.5TWT/E14-BAS-N30 KTC5.5TWT/E14-BOZ-N30 KTC5.5TWT/E14-SLV-N30
Voltage	220-240Vac 50-60Hz
Nominal Power (W)	5.5
Current (mA)	45
CE Mark	Yes
WEEE Mark	Yes
Batch Code	Yes

### Dimensions



### Photometric Information

3000K

