



BHL

Product Description

- Encapsulated electromagnetic copper/iron gears for HPL and HPI (Plus) lamps

Features and Benefits

- Outstanding product life (ten - fifteen years)
- Excellent resistance to chemical attack, humid conditions and high environmental stress crack resistance
- Compact dimensions and light weight with minimal watt losses, thanks to orthocyclic winding process
- Equipped as standard with screw terminal blocks
- Separate earth terminal (HID 'Heavy Duty')
- Simple installation and cabling
- Gears for alternative mains voltages/frequencies on request

Applications

- Ideal for the following applications:
 - Recreational sports lighting, indoor and outdoor
 - Floodlighting of buildings and monuments
 - Area lighting, e.g. harbors, building sites
 - Canopy lighting, e.g. petrol stations
 - High bay lighting, e.g. industrial workshops, exhibition halls, supermarkets, shopping malls, DIY stores, churches, airports, railway stations
- Climatic suitability: use in luminaires under normal humidity conditions (not drip-proof)

Quality

Philips Quality assures optimum quality regarding:

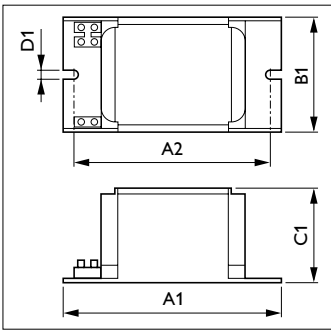
- System supplier: As manufacturers of lamps and electromagnetic control gear, Philips ensures that, from the earliest development stage, optimum lamp/gear performance is maintained.
- European standards: Philips HID electromagnetic gears comply with all relevant international rules and regulations.

Compliances and approvals

Safety	EN 61347-2-9
Performance	EN 60923
RFI	EN 55015
Harmonics	EN 61000-3-2
EMC immunity	EN 61547
Approval marking	ENEC
CE-marking	
Environmental standard	ISO 14001

Recommended lamp page 3.190

www.philips.com/OEM



BHL

Type	A1Nom	A2Nom	B1Nom	C1Nom	D1Nom
HID-HeavyDuty BHL 50/80/125	118.0	103.0	65.0	53.0	6.2
HID-HeavyDuty BHL 250 L32	134.0	115.5	81.0	66.0	6.2
HID-HeavyDuty BHL 250 L40	126.0	107.5	81.0	66.0	6.2
HID-HeavyDuty BHL 400 L32	160.0	141.5	81.0	66.0	6.2
HID-HeavyDuty BHL 400 L40	151.0	132.5	81.0	66.0	6.2

Electrical data

Type	Number of Lamps (x)	Rated Gear-Lamp Power	Power losses gear (W)	Line Frequency (Hz)	Line Voltage (V)	T-winding	Delta-T normal conditions (°C)	Input current with PF-correct. (A)	Design
HID-HeavyDuty BHL 50/80 L48 230V 50Hz	1	50/80	7.0/10.0	50	230	130	55	0.30/0.45	HD1-118
HID-HeavyDuty BHL 80 L32 240V 50Hz	1	80	10.5	50	240	130	60	0.45	HD1-118
HID-HeavyDuty BHL 80 L40 230V 50Hz	1	80	10.5	50	230	130	60	0.45	HD1-118
HID-HeavyDuty BHL 80/125 L48 230V 50Hz	1	80/125	9.6/12.2	50	230	130	75	0.45/0.70	HD1-118
HID-HeavyDuty BHL 125 L32 240V 50Hz	1	125	13.2	50	240	130	70	0.70	HD1-118
HID-HeavyDuty BHL 125 L40 230V 50Hz	1	125	12.7	50	230	130	70	0.70	HD1-118
HID-HeavyDuty BHL 250 L32 240V 50Hz	1	250	20.5	50	240	130	85	1.35	HD2-134
HID-HeavyDuty BHL 250 L40 230V 50Hz	1	250	19.5	50	230	130	85	1.35	HD2-126
HID-HeavyDuty BHL 400 L32 240V 50Hz	1	400	23.0	50	240	130	85	2.15	HD2-160
HID-HeavyDuty BHL 400 L40 230V 50Hz	1	400	22.0	50	230	130	80	2.15	HD2-151

Ordering and packing data

Type	Weight	Qty bulk packing	Dimensions bulk packing	EAN code bulk packing	EOC 8711500
HID-HeavyDuty BHL 50/80 L48 230V 50Hz HD1-118	1.25 kg	6	20.8 cm x 13.9 cm x 11.4 cm	8711500061768	919649 31
HID-HeavyDuty BHL 80 L32 240V 50Hz HD1-118	1 kg	6	20.8 cm x 13.4 cm x 11.4 cm	8711500061690	919373 31
HID-HeavyDuty BHL 80 L40 230V 50Hz HD1-118	1 kg	6	20.8 cm x 13.4 cm x 11.4 cm	8711500061683	919359 31
HID-HeavyDuty BHL 80/125 L48 230V 50Hz HD1-118	1.25 kg	6	20.8 cm x 13.9 cm x 11.4 cm	8711500061782	919694 31
HID-HeavyDuty BHL 125 L32 240V 50Hz HD1-118	1.26 kg	6	20.8 cm x 13.9 cm x 11.4 cm	8711500061720	919441 31
HID-HeavyDuty BHL 125 L40 230V 50Hz HD1-118	1.26 kg	6	20.8 cm x 13.9 cm x 11.4 cm	8711500061744	915146 31
HID-HeavyDuty BHL 250 L32 240V 50Hz HD2-134	2.1 kg	6	25.3 cm x 15 cm x 13.9 cm	8711500932709	944894 30
HID-HeavyDuty BHL 250 L40 230V 50Hz HD2-126	1.84 kg	6	25.3 cm x 14.2 cm x 13.9 cm	8711500934604	919502 30
HID-HeavyDuty BHL 400 L32 240V 50Hz HD2-160	3.05 kg	6	25.3 cm x 17.6 cm x 13.9 cm	8711500932440	919557 30
HID-HeavyDuty BHL 400 L40 230V 50Hz HD2-151	2.75 kg	6	25.3 cm x 16.7 cm x 13.9 cm	8711500934703	919533 30

Electrical installation notes

Mains operation

With tolerances for performance -8% / +6%

With tolerances for operation -10% / +10%

Operation frequency (typical) 50 Hz

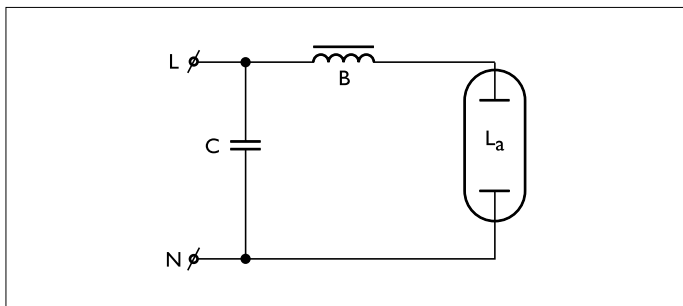
Power factor with specified capacitor (minimum) 0.85

Mechanical installation notes

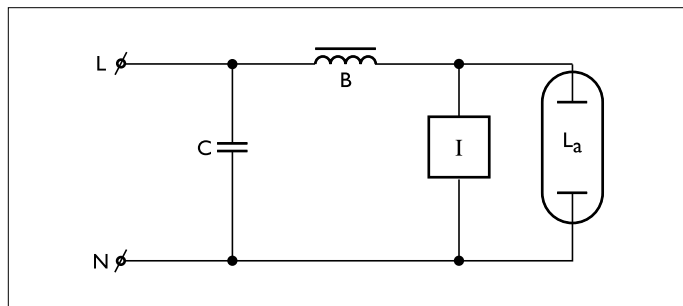
Wire cross-section:

On the mains side 0.75-2.5 mm²

Strip length 6 mm



BHL 50/80, 80, 80/125, 125



BHL 250/400

