

Atlanta All Purpose LED Downlight



Energy efficient integrated LED downlight with adjustable bracket for surface mounting or to fit existing recessed installations (2.5" - 8")

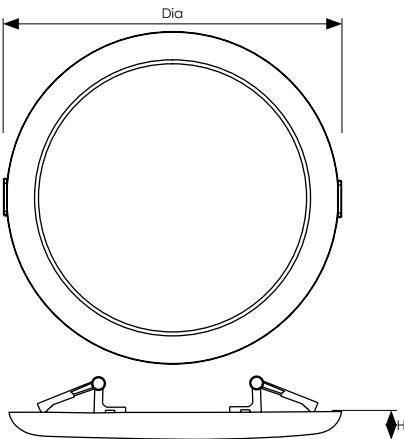
- 3000K Warm White or 4000K Cool White
- 120° beam angle
- Constructed from corrosion resistant thermal plastic with a corrosion resistant PS diffuser
- 30,000 hours rated life
- 50,000 switching cycles
- Includes 25cm cable pre-wired to input
- Instant full light
- Dimensions: 230mm(d) x 14mm(h)
- Surface mount or recessed installation
- Cutout Ø 63.5-203mm (2.5" - 8") diameter for recessed installation
- IP20 rated for indoor use only
- Not suitable for dimming

Recessed Installations: Adjustable Bracket to Fit Existing 2.5" to 8" Cutouts

Surface Mounted Installation



Product Code	Watts (W)	Volts (V)	Colour Appearance	Colour Temp (K)	Total Lumens (lm)	Beam Angle	Dimensions (mm)			Order Qty
							Dia	H	Cutout Ø	
Single Carton										
10536	18.5	240	Warm White	3000	1550	120°	230	14	63.5-203	1
10543	18.5	240	Cool White	4000	1600	120°	230	14	63.5-203	1



This luminaire contains built-in LED lamps.

A++
A+
A
C
D

LED

The lamps cannot be changed in the luminaire.

CROMPTON LAMPS **874/2012**



Lighting brilliance since 1878



Phoebe LED™ is a trading name of Crompton Lamps Limited
 Crompton Lamps Limited registered in England and Wales No. 05590551
 Registered office and correspondence address: Unit 2, Martrree Business Park, Bowling Back Lane, Bradford BD4 8QE

Tel: +44 (0)1274 657 088 **Fax:** +44 (0)1274 657 087 **Email:** sales@phoebeled.com **Web:** www.phoebeled.com

All images and specifications are for illustration purposes only and are subject to change without notice.
 E. & O. E. © Crompton Lamps Limited 2018