

TECHNICAL DATASHEET

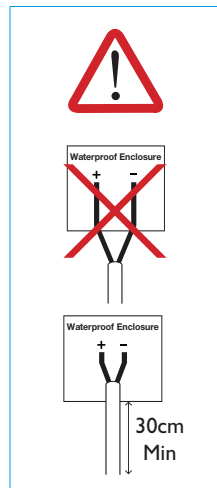
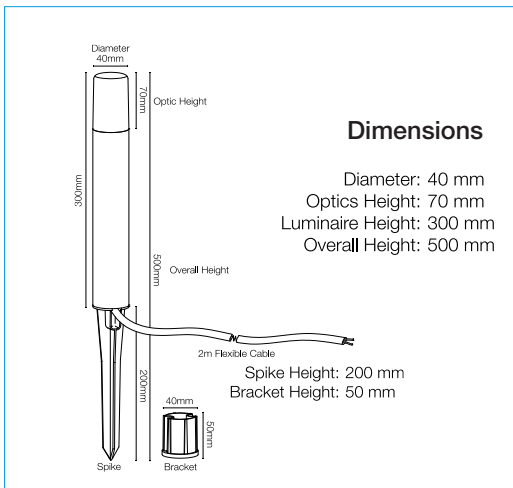
APST05BK Range

Quartz 3W LED Spike Luminaire



PRODUCT FEATURES

- Mains Voltage, 2m rubberised cable
- Cast Aluminium Body
- Garden Spike Supplied, surface bracket included
- Black Powder Coated Body
- High Strength Opal Polycarbonate Optics



Product Code	APST05BK/30	APST05BK/40
RATED POWER	3W	3W
LUMINOUS FLUX	≤180 lm	≤195 lm
COLOUR TEMPERATURE	3000K	4000K
BEAM ANGLE	340°	340°
INGRESS PROTECTION	IP65	IP65
OPERATING TEMPERATURE	-20 ~ +55 °C	-20 ~ +55 °C
SDCM	<6	<6
CRI/RA	>80	>80
PF	>0.5	>0.5
FREQUENCY	50-60Hz	50-60Hz
VOLTAGE	240 V	240 V
LIFETIME	25,000 Hrs	25,000 Hrs
SWITCHING CYCLES	≤15,000	≤15,000

ALL LED APST05BK/**

This luminaire contains built-in LED lamps.

A++
A+
A
B
C
D
E

LED

The lamps cannot be changed in the luminaire.

874/2012