



TAURUS SITE

DUAL VOLTAGE SITE BULKHEADS



Taurus Site is a range of sleek profile dual voltage bulkheads. Designed for use on construction site hoardings and general lighting, the range features opal, frosted clear or red diffusers. Extra deep prismatic clear or red diffusers, plus a smart black trim offer additional choice.

Features

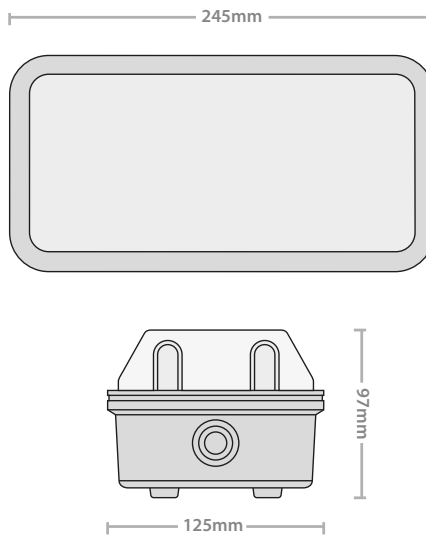
- New sleek profile design
- Dual supply voltage - 110/240V for versatility
- Optional prismatic red or clear diffusers
- Smart optional trim to cover diffuser fixings



Specification

Material:	Polycarbonate
Colour Temperature:	5700K (N/A to Red)
Colour Finish:	Black
CRI:	>80 / TAR8Y >45
LED Lifetime:	L80B50 30,000 Hrs
IP Rating:	IP65
IK Rating:	IK08
Working Temperature:	-10°C to 40°C
Electrical Class	Class: II
Power Factor	>0.95
Guarantee:	3 Years

Dimensions



Product Code	Description	Diffuser Colour	Wattage	Lumen Output	Efficacy	Weight (Kg)	Barcodes
TAO8Y	Taurus Site Bulkhead	Opal	8W	800 lm	100 lm/W	0.36	5055807623353
TAC8Y	Taurus Site Bulkhead	Clear	8W	900 lm	110 lm/W	0.36	5055807623360
TAR8Y	Taurus Site Bulkhead	Red	8W	190 lm	N/A	0.36	5055807623377
TA/CLEAR	Taurus Site Extra Deep Clear Prismatic Diffuser Only					0.16	5055807623391
TA/RED	Taurus Site Extra Deep Red Prismatic Diffuser Only					0.16	5055807623407
TA/TRIM	Taurus Site Optional Trim Only					0.06	5055807623384



TAO8Y



TAO8Y WITH TA/TRIM



TA/RED

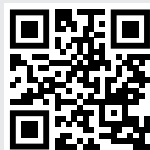
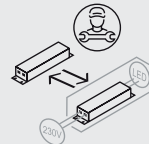
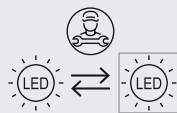
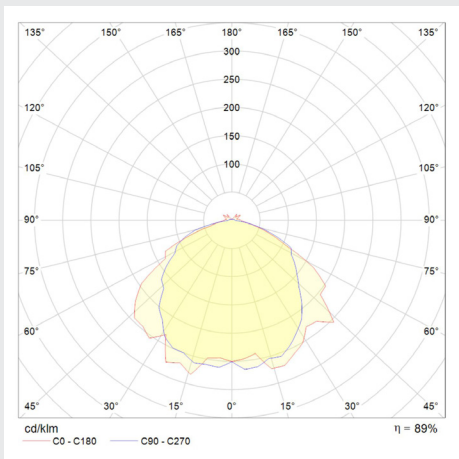


TA/CLEAR

Maximum Fittings Per Circuit

Automatic Circuit Breaker Type:	B6	B10	B13	B16	B20	C10	C13	C16	C20
Rated Current:	6A	10A	13A	16A	20A	10A	13A	16A	20A
Cable (mm):	1.5	1.5	1.5	2.5	2.5	1.5	1.5	2.5	2.5
8W Taurus Site	12	20	26	32	40	40	52	64	80

Light Distribution Curve - Product shown TAC8Y



www.redarrowelectrical.co.uk

ENERGY
Red Arrow
 TAXXX

8
 kWh/1000h