

ROBUS®

INDUSTRIAL

LAZER 2 Vapour Proof LED Through Wire Luminaire

20W, 34W, 50W, IP65



PRODUCT INFORMATION DOCUMENT

FEATURES

- Factory fitted fast-fix spring terminal connector glands both ends with all internal wiring within the fitting:
 - Pre-wired incoming gland to driver
 - Pre-wired loop out from driver to outgoing gland
- Fully sealed construction that do not require opening of the fitting for installation
- Gland spring terminals accept 1.5mm² conductors
- Complete with stainless steel surface mounting brackets and suspension hangers

CONSTRUCTION

- Grey coloured polycarbonate body
- Opal polycarbonate diffuser
- Stainless steel brackets
- Aluminium gear tray



WARRANTY



LIFETIME



LUMENS
PER W



IK RATING



IP RATING



OPERATING
VOLTAGE



BEAM ANGLE



NON
DIMMABLE
DIMMING



CCT



SAFETY
CLASS

Product Code:	RLZ204006-24	RLZ344012-24	RLZ504015-24
Comparable to:	2x18W T8	2x36W T8	2 x 58W T8
Total Power (W):	19.5	33.6	47.5
Power Factor:	0.95	0.95	0.9
Total Light Output (lm):	2340	4280	6170
Total Emergency Light Output (lm):	NA	NA	NA
Efficacy (lm/ccW):	120	127	130
Lux at 1m (lux):	640	1140	1670
Emergency Lux at 1m (lux):	NA	NA	NA
CCT (K):	4000	4000	4000
CRI:	80	80	80
IP:	65	65	65
Operation Temperature (°C):	-25 ≤ Ta ≤ +40	-25 ≤ Ta ≤ +40	-25 ≤ Ta ≤ +40
Inrush Current:	18.6A/ 0.12us	11.8A/0.48us	6.6A/0.4us
RG Value:	0	0	0
SDCM:	6	6	6
P _{ST} LM:	NA	NA	NA
SVM:	NA	NA	NA
Energy Class:	D	D	C
Rated Life to L70B50 (Hrs):	50000	50000	50000
Dimensions ØxH (mm):	600x68x65	1200x68x65	1500x68x65
Weight (kg):	0.52	0.9	1.12

Separate Control Gear Information

Type of Light Source:	LED	LED	LED
Full Load Efficiency (%):	93	92	93
P _{NET} (W):	NA	NA	NA
Dimensions (mm):	144x20x22	148x34x25	192x40x26

Product is certified to all the relevant standards.

Please contact our technical department for market specific compliances.

PLEASE NOTE: INFORMATION IN THIS DOCUMENT MAY BE SUBJECT TO CHANGE WITHOUT PRIOR NOTICE

IRE: TEL: +353 1 709 9000
UK: TEL: 0800 973 220
AUS: TEL: +61 7 3890 5444
NZ: TEL: +64 03 668 5285

WEB: ROBUS.COM
WEB: ROBUS.COM
WEB: ROBUS.COM.AU
WEB: ROBUSLED.CO.NZ

LED GROUP EUROPE · UK · AUSTRALIA · NEW ZEALAND · ASIA · MIDDLE EAST · AFRICA

LAZER 2 Vapour Proof LED Through Wire Luminaire 20W, 34W, 50W, IP65

Cone Illuminance Diagram

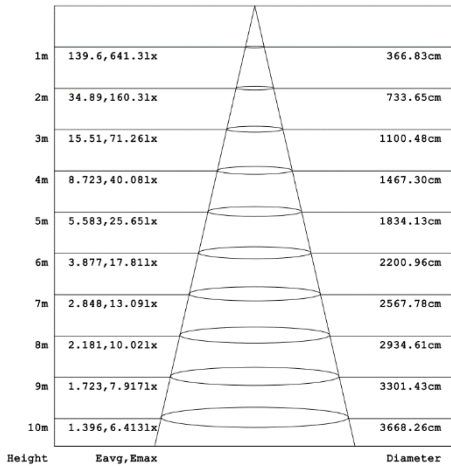
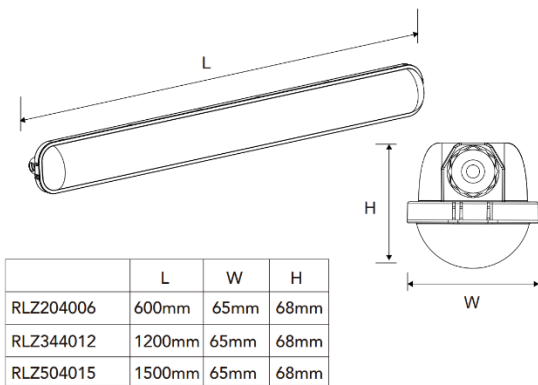


Diagram for RLZ204006-24 in 4000K. Other diagrams available on request

Dimension Diagram



Sensor Data

Time Off Delay:	NA
Illuminance Switching Range:	NA
Sensitivity Range (%):	NA
Mounting Height (max):	NA
Detection Zone Diameter (max):	NA

Polar Intensity Diagram

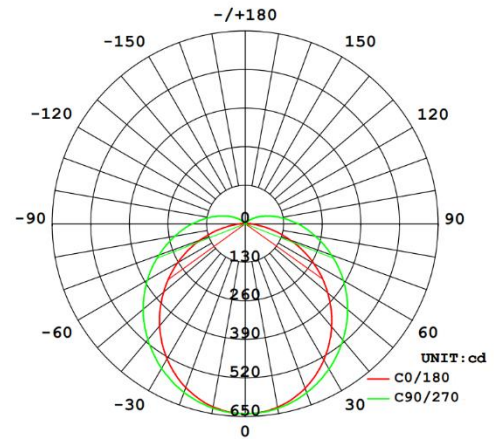


Diagram for RLZ204006-24 in 4000K. Other diagrams available on request

Accessories

NA