

ROBUS®

SURFACE FITTING

OYSTER LED

24W, IP44



PRODUCT INFORMATION DOCUMENT

FEATURES

- Strong and durable construction provides long service life
- Diffuser allows maximum light output and provides low glare
- Compared to compact fluorescent:
 - Energy savings of over 50% providing paybacks of <12 months
 - No maintenance cost for replacement
- Suitable for external PIR, microwave or photocell switching

CONSTRUCTION

- Powder coated aluminium
- Twist and lock PMMA opal diffuser
- Aluminium/FR-4 laminate PCB



WARRANTY



LUMINAIRE LIFETIME



LUMENS PER W



IP RATING



CCT



BEAM ANGLE



NON DIMMABLE



OPERATING VOLTAGE



SAFETY CLASS

Product Code:	R24WLED40EU-01
Comparable to:	38W 2D Fluorescent
Total Power (W):	26.2
Power Factor:	0.9
Total Light Output (lm):	1710
Total Emergency Light Output (lm):	120
Efficacy (lm/cctW):	65
Lux at 1m (lux):	400
Emergency Lux at 1m (lux):	30
CCT (K):	4000
CRI:	80
IP:	44
Operation Temperature (°C):	-20 ≤ T _a ≤ +40
Inrush Current:	Max 56A/3us
RG Value:	0
SDCM:	6
P _{ST} LM:	NA
SVM:	NA
Energy Class:	E
Rated Life to L70B50 (Hrs):	30000
Dimensions ØxH (mm):	395x105
Weight (kg):	0.94
Separate Control Gear Information	
Type of Light Source:	LED
Full Load Efficiency (%):	88
P _{NET} (W):	NA
Dimensions (mm):	127x35x22

Product is certified to all the relevant standards.

Please contact our technical department for market specific compliances.

PLEASE NOTE: INFORMATION IN THIS DOCUMENT MAY BE SUBJECT TO CHANGE WITHOUT PRIOR NOTICE

IRE: TEL: +353 1 709 9000
UK: TEL: 0800 973 220
AUS: TEL: +61 7 3890 5444
NZ: TEL: +64 03 668 5285

WEB: ROBUS.COM
WEB: ROBUS.COM
WEB: ROBUS.COM.AU
WEB: ROBUSLED.CO.NZ

LED GROUP EUROPE · UK · AUSTRALIA · NEW ZEALAND · ASIA · MIDDLE EAST · AFRICA

ROBUS®

SURFACE FITTING

OYSTER LED

24W, IP44

Cone Illuminance Diagram

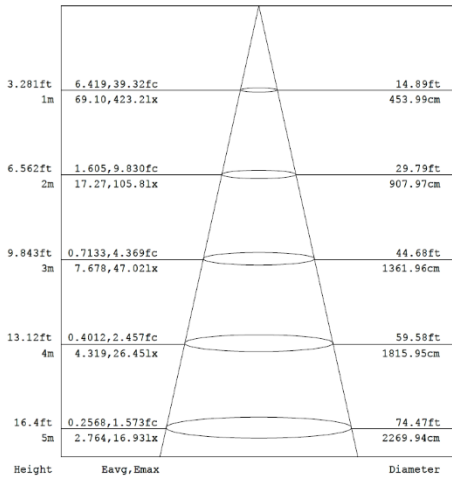
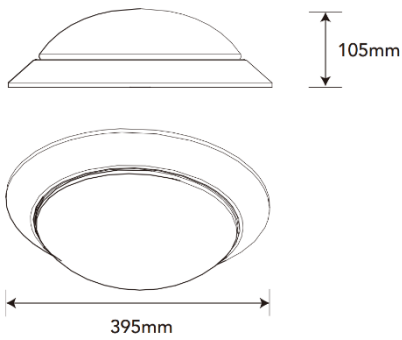


Diagram for R24WLED40EU-01 in 4000K. Other diagrams available on request

Dimension Diagram



Sensor Data

Time Off Delay:	NA
Illuminance Switching Range:	NA
Sensitivity Range (%):	NA
Mounting Height (max):	NA
Detection Zone Diameter (max):	NA

Polar Intensity Diagram

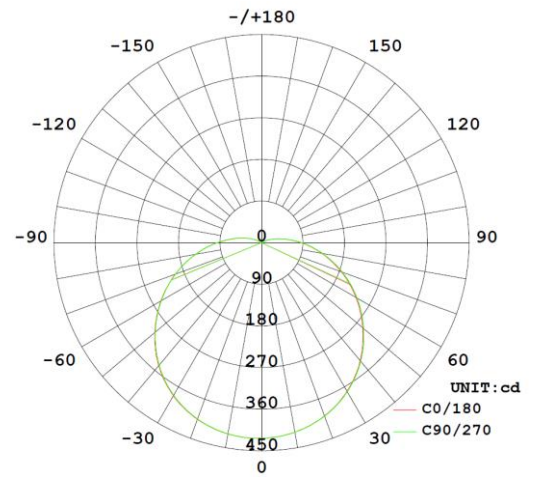


Diagram for R24WLED40EU-01 in 4000K. Other diagrams available on request

Accessories

NA

PLEASE NOTE: INFORMATION IN THIS DOCUMENT MAY BE SUBJECT TO CHANGE WITHOUT PRIOR NOTICE

IRE: TEL: +353 1 709 9000
 UK: TEL: 0800 973 220
 AUS: TEL: +61 7 3890 5444
 NZ: TEL: +64 03 668 5285

WEB: ROB.US.COM
 WEB: ROB.US.COM
 WEB: ROB.US.COM.AU
 WEB: ROB.US.LED.CO.NZ

LED GROUP EUROPE · UK · AUSTRALIA · NEW ZEALAND · ASIA · MIDDLE EAST · AFRICA