

# ROBUS®

## EMERGENCY

### SAPPHIRE BULKHEAD

4W, IP65



## PRODUCT INFORMATION DOCUMENT

### FEATURES

- LED replacement for T5 emergency bulkheads
- Available in both Manual and Self-Test Emergency versions
- 3 hour emergency duration
- Legends included with the fitting
- LiFePO4 battery technology provides fast charging and high number of charge/discharge cycles

### CONSTRUCTION

- Polycarbonate housing and diffuser
- 20mm side entry point



WARRANTY



LUMINAIRE LIFETIME



LUMENS PER W



IK RATING



IP RATING



OPERATING VOLTAGE



BEAM ANGLE



SAFETY CLASS



CCT



TESTING



BATTERY

Product Code:	RSI4L-01
Standard	RSI4LST-01
Self-test	
Comparable to:	8W T5 fluorescent
Total Power (W):	3.7
Power Factor:	0.5
Total Light Output (lm):	170
Total Emergency Light Output (lm):	90
Efficacy (lm/cctW):	46
Lux at 1m (lux):	50
Emergency Lux at 1m (lux):	30
CCT (K):	6500
CRI:	80
IP:	65
Operation Temperature (°C):	0 ≤ Ta ≤ +40
Inrush Current:	38A/19.2us
RG Value:	0
SDCM:	<6
Pst LM:	NA
SVM:	NA
Energy Class:	D
Rated Life to L70B50 (Hrs):	30000
Dimensions LxWxH (mm):	224x92x52
Weight (kg):	0.33

Separate Control Gear Information	
Type of Light Source:	LED
Full Load Efficiency (%):	33
P <sub>NET</sub> (W):	NA
Dimensions (mm):	165x40x20

PLEASE NOTE: INFORMATION IN THIS DOCUMENT MAY BE SUBJECT TO CHANGE WITHOUT PRIOR NOTICE

IRE: TEL: +353 1 709 9000  
 UK: TEL: 0800 973 220  
 AUS: TEL: +61 7 3890 5444  
 NZ: TEL: +64 03 668 5285

WEB: ROB.US.COM  
 WEB: ROB.US.COM  
 WEB: ROB.US.COM.AU  
 WEB: ROB.USLED.CO.NZ

LED GROUP EUROPE · UK · AUSTRALIA · NEW ZEALAND · ASIA · MIDDLE EAST · AFRICA

#### Cone Illuminance Diagram

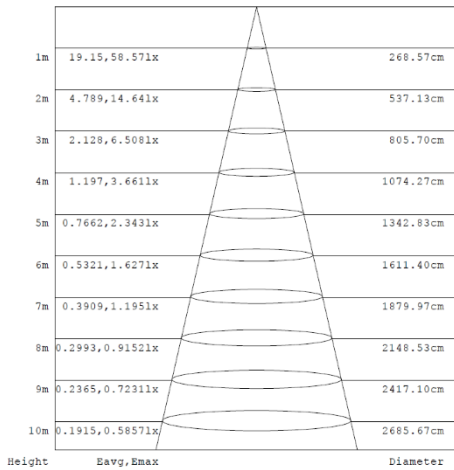


Diagram for RS14L-01 in 6500K Other diagrams available on request

#### Polar Intensity Diagram

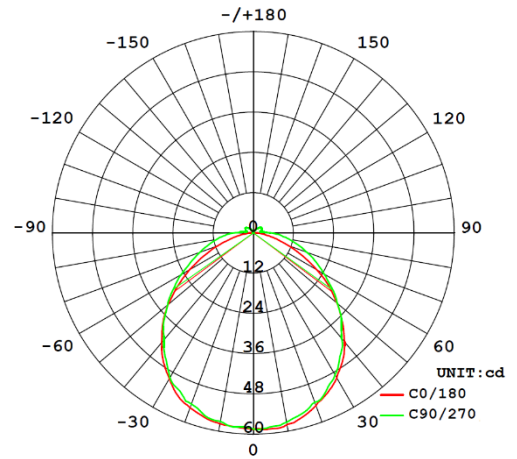
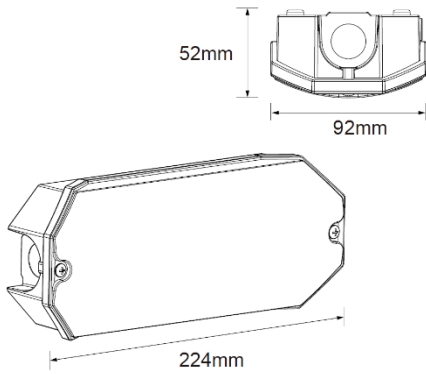


Diagram for RS14L-01 in 6500K Other diagrams available on request

#### Dimension Diagram



#### Accessories

Mounting Height (m)	Luminaire Spacing (m) On Emergency Escape Routes							
	Transverse to wall		Transverse to transverse		Axial to wall		Axial to axial	
	0.5 Lux	1 Lux	0.5 Lux	1 Lux	0.5 Lux	1 Lux	0.5 Lux	1 Lux
2.5	5.5	4.5	11	9	5.5	4.5	11	9
3	6	5	12	10	6	5	12	10
4	6.5	5.5	13	11	6.5	5.5	13	11

Mounting Height (m)	Luminaire Spacing (m) In Anti Panic Open Areas (Incl 0.5m Border Area)			
	Transverse to wall	Transverse to transverse	Axial to wall	Axial to axial
	0.5 Lux	0.5 Lux	0.5 Lux	0.5 Lux
2.5	5.3	10.6	5.3	10.6
3	5.8	11.6	5.8	11.6
4	6.3	12.6	6.3	12.6

PLEASE NOTE: INFORMATION IN THIS DOCUMENT MAY BE SUBJECT TO CHANGE WITHOUT PRIOR NOTICE

IRE: TEL: +353 1 709 9000  
 UK: TEL: 0800 973 220  
 AUS: TEL: +61 7 3890 5444  
 NZ: TEL: +64 03 668 5285

WEB: ROBUS.COM  
 WEB: ROBUS.COM  
 WEB: ROBUS.COM.AU  
 WEB: ROBUSLED.CO.NZ

LED GROUP EUROPE · UK · AUSTRALIA · NEW ZEALAND · ASIA · MIDDLE EAST · AFRICA