

Product selected: Coolfit 20W 12V 38°

A sealed front low voltage (12V) halogen lamp with an aluminium reflector and clear flat front lens. Heat and light are dissipated forward, reducing fixture/ceiling discolouration making Coolfit the perfect choice for use in small ceiling voids or where no rear light spillage is wanted.

Applications

- Accent lighting in retail, commercial and domestic applications where heat dissipation towards the back of the lamp is not acceptable
- Can replace any 12V 50 mm diameter dichroic low voltage lamp
- Suitable for use in open ceilings or in luminaires featuring the lamp

Features

- Heat and light are dissipated forward away from the back of the lamp
- Sealed flat front lens protects capsule and reflector from dust, and offers extra safety
- Wear resistant aluminium reflector for constant light output and colour temperature throughout lamp life
- Dimmable using a suitable dimmer for operation with a transformer
- Constant colour and light output throughout lamp life
- Excellent colour rendering
- Easily recognisable by blue cement in lamp cap
- The use of UV-Stop materials dramatically reduces UV emissions
- Average rated life: 5000 hours

Product Attributes

Item description	Coolfit 20W 12V 38°
Bulb shape	Reflector
Bulb finish / Light colour	Aluminium
Nominal wattage (W)	20
Nominal Voltage (V)	12
Cap	GX/GU5.3
Maximum Lamp length L [mm]	49
Diameter D [mm]	51
Colour temperature (K)	3000
Ordering Code	0022516

Product Image

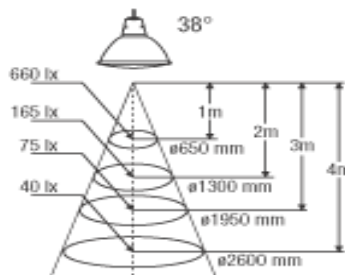


Fixture rating

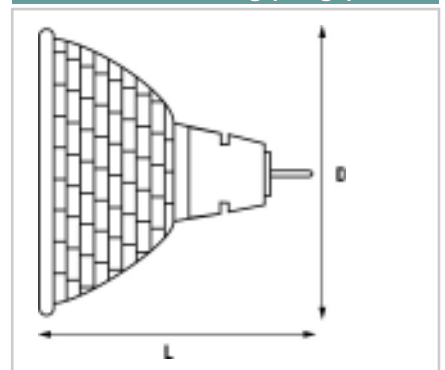


Cone diagram (image)

Coolfit - 20W/38°



Product line drawing (image)



Cap (image)

