



TE-C 101, 20 – 105 VA 230 – 240/12 V 50/60 Hz, speedy
Dimming via leading-edge and trailing-edge phase dimmers

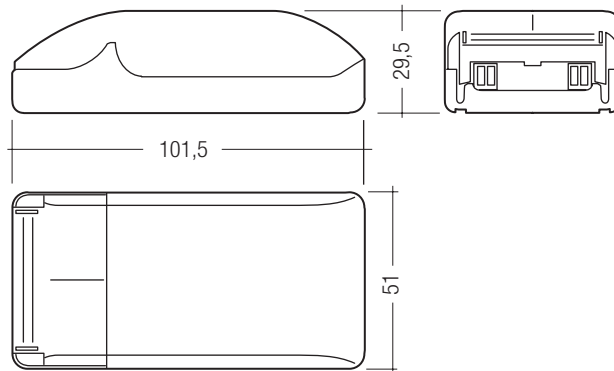
Product description

- Compact dimensions
- Short-circuit shutdown feature with automatic restart
- Overtemperature and overload protection with power regulation
- Large connection compartment
- Double assignment of the terminal possible
- Cage clamp terminals for rigid and flexible wires
- Double terminals on the secondary side
- Rapid installation of cable clamp and terminal cover, no tool required
- Casing: polycarbonate, dark blue/white
- Not suitable for operation with MR16 LED bulbs



Technical data

Protection class	II
Mains frequency	50 / 60 Hz
λ	> 0.95
Max. cable length secondary	2 m



Ordering data

Lamp wattage	Dimensions LxWxH	Dimming	Type	Article number
20–50 VA	101.5 x 51 x 29.5 mm	Leading-edge and trailing-edge phase control	TE-0050 C101	24034855
20–70 VA	101.5 x 51 x 29.5 mm	Leading-edge and trailing-edge phase control	TE-0070 C101	24034868
35–105 VA	101.5 x 51 x 29.5 mm	Leading-edge and trailing-edge phase control	TE-0105 C101	24034874

Packaging: 20 pieces/carton, 1000 pieces/pallet

Specific technical data

Type	Rated supply voltage AC	Rated current (at 230 V 50 Hz)	Secondary voltage 230 V	Secondary voltage 240 V	Operating frequency	Ambient temperature t_a	Max. casing temperature	Soft-start	Weight	Secondary terminal
TE-0050 C101	230 – 240 V	0.215 A	11.5 V	11.7 V	60 kHz	-20 ... +50 °C	85 °C	< 1 s	0.105 kg	4-pin
TE-0070 C101	230 – 240 V	0.300 A	11.5 V	11.7 V	55 kHz	-20 ... +50 °C	85 °C	< 1 s	0.108 kg	4-pin
TE-0105 C101	230 – 240 V	0.450 A	11.5 V	11.7 V	40 kHz	-20 ... +45 °C	85 °C	< 1 s	0.120 kg	4-pin