

Magnetic chokes
Linear lamps
EC 58–125 W 230 V 50 Hz

Figure 1:

- $t_w = 130\text{ °C}$
- push terminal 0.5–1.5 mm²

Figure 2:

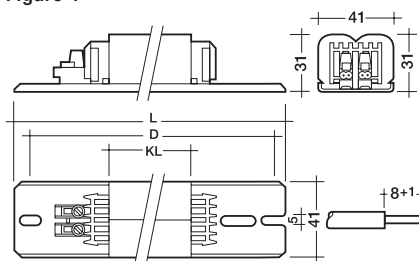
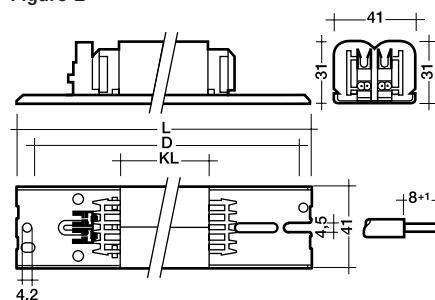
- $t_w = 130\text{ °C}$
- ConCut – IDC terminal 0.5–1.5 mm²
- optimised for automated wiring in luminaires
- authorized for BJB and ALF automatic wiring machines

Packaging figure 1:

loose, 665 pieces/pallet

Packaging figure 2:

 5 off, banded
 1000 pieces/pallet

Figure 1

Figure 2

Approvals:

 EN 60921
 EN 61347-1
 EN 61347-2/8

Lamp				Choke										P. F. Correction			③
watt- age W	length mm	dia- meter mm	nominal lamp current A	type	article number	fig.	length L mm	core stack length KL mm	fixing centres D mm	weight kg	ΔT K	λ	parallel compensation capacitor $\mu\text{F} \pm 10\%$ 250V	② line current A	series comp. capacitor $\mu\text{F} \pm 4\%$		

Energy Efficiency Index EEI = B1

58	1500	26	0.67	EC 65 B140 230/50	22175030	1	231	140	210–224	1.3	30	0.45	7	0.32	5.3/480 V	A
U65	765	38	0.67	EC 65 B140 230/50	22175030	1	231	140	210–224	1.3	30	0.49	7	0.32	5.3/480 V	A

Energy Efficiency Index EEI = B2

58	1500	26	0.67	EC 58 C501K 230/50	22115907	2	191	90	150–184	0.85	50	0.47	7	0.32	5.3/480 V	A
58	1500	26	0.67	EC 58 LC501K 230/50	22148638	2	191	100	150–184	0.9	45	0.47	7	0.31	5.3/480 V	A
70	1800	26	0.7	EC 70 C501K 230/50	22148762	2	191	90	150–184	0.877	45	0.52	7	0.37	–	A
70	1800	26	0.7	EC 70 LC501K 230/50	22149286	2	191	100	150–184	0.952	50	0.51	7	0.37	–	A
75	188	38	0.67	EC 70 C501K 230/50	22148762	2	191	90	150–184	0.877	45	0.55	6	0.39	–	A
75	1800	38	0.67	EC 70 LC501K 230/50	22149286	2	191	100	150–184	0.952	50	0.56	6	0.39	–	A
80	1500	38	0.87	EC 80/85 C140 230/50	22175020	1	231	140	210–224	1.3	45	0.46	8	0.46	–	A
85	1800	38	0.8	EC 80/85 C140 230/50	22175020	1	231	140	210–224	1.3	40	0.53	8	0.47	–	A

Energy Efficiency Index EEI = C

58	1500	26	0.67	EC 58 A501K 230/50 ①	22116279	2	191	90	150–184	0.85	50	0.48	7	0.32	5.3/450 V	B
U65	765	38	0.67	EC 58 A501K 230/50 ①	22116279	2	191	90	150–184	0.85	50	0.5	7	0.32	5.3/450 V	B
125	2400	38	0.94	EC 125 A140 230/240/50	22175035	1	231	140	210–224	1.3	55	0.62c	–	–	7.6/440 V	A

① no CE marking according to EC Directive 2000/55/EC

 ② $\cos \varphi > 0.9$

③ A ... standard article

B ... on request