

WEEE Number: 80133970

INSTALLATION INSTRUCTION

FIRE RATED DOWNLIGHT



OPTIONAL 3 BEZELS
(NOT INCLUDED)



TECHNICAL DATA:

MODEL	VT-DL0508
WATTS	5W-8W (Changeable)
BEAM ANGLE	60°
CRI	>80(>86 at 3000K & 4000K)
DF	>0.93 at 8W (>0.86 at 5W)
COLOR	2700K-6000K
IP RATING	IP65(Bezel), IP20(Body)
CUT OUT SIZE	Ø65mm
OPERATION TEMPERATURE	-20 to +45°C
BODY TYPE	Aluminium + Iron
DIMENSION	Ø90x45x65mm
INPUT POWER	AC:200~240, 50Hz

WATTS	COLOR	LUMENS
5W	2700K	475LM
	3000K	520LM
	4000K	540LM
	6000K	530LM
8W	2700K	700LM
	3000K	765LM
	4000K	830LM
	6000K	800LM



QUICK CONNECTOR



30-60-90 MIN Fire Rated



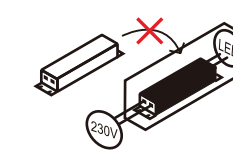
Dimmable

3 YEARS WARRANTY*

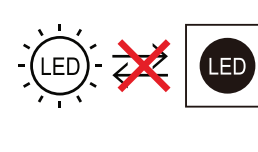
INTRODUCTION & WARRANTY

Thank you for selecting and buying V-TAC product. V-TAC will serve you the best. Please read these instructions carefully before starting the installation and keep this manual handy for future reference. If you have any another query, please contact our dealer or local vendor from whom you have purchased the product. They are trained and ready to serve you at the best. The warranty is valid for 3 years from the date of purchase. The warranty does not apply to damage caused by incorrect installation or abnormal wear and tear. The company gives no warranty against damage to any surface due to incorrect removal and installation of the product. The products are suitable for 10-12 Hours Daily operation. Usage of product for 24 Hours a day would void the warranty. This product is warranted for manufacturing defects only.

NOTE: Item is Insulation coverable



Non-replaceable control gear



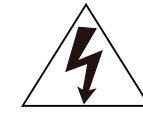
Non-replaceable light source

WARNING!

1. Please make sure to turn off the power before starting the installation.
2. The light source of this luminaire is not replaceable, when the light source reaches its end of life the whole luminaire should be replaced.
3. Installation must be performed by a qualified person.
4. If the external flexible cable or cord of this luminaire is damaged, it shall be exclusively replaced by the manufacturer or his service agent or a similar qualified person in order to avoid a hazard.
5. Proper grounding should be ensured throughout the installation.
6. For Indoor Purpose Only

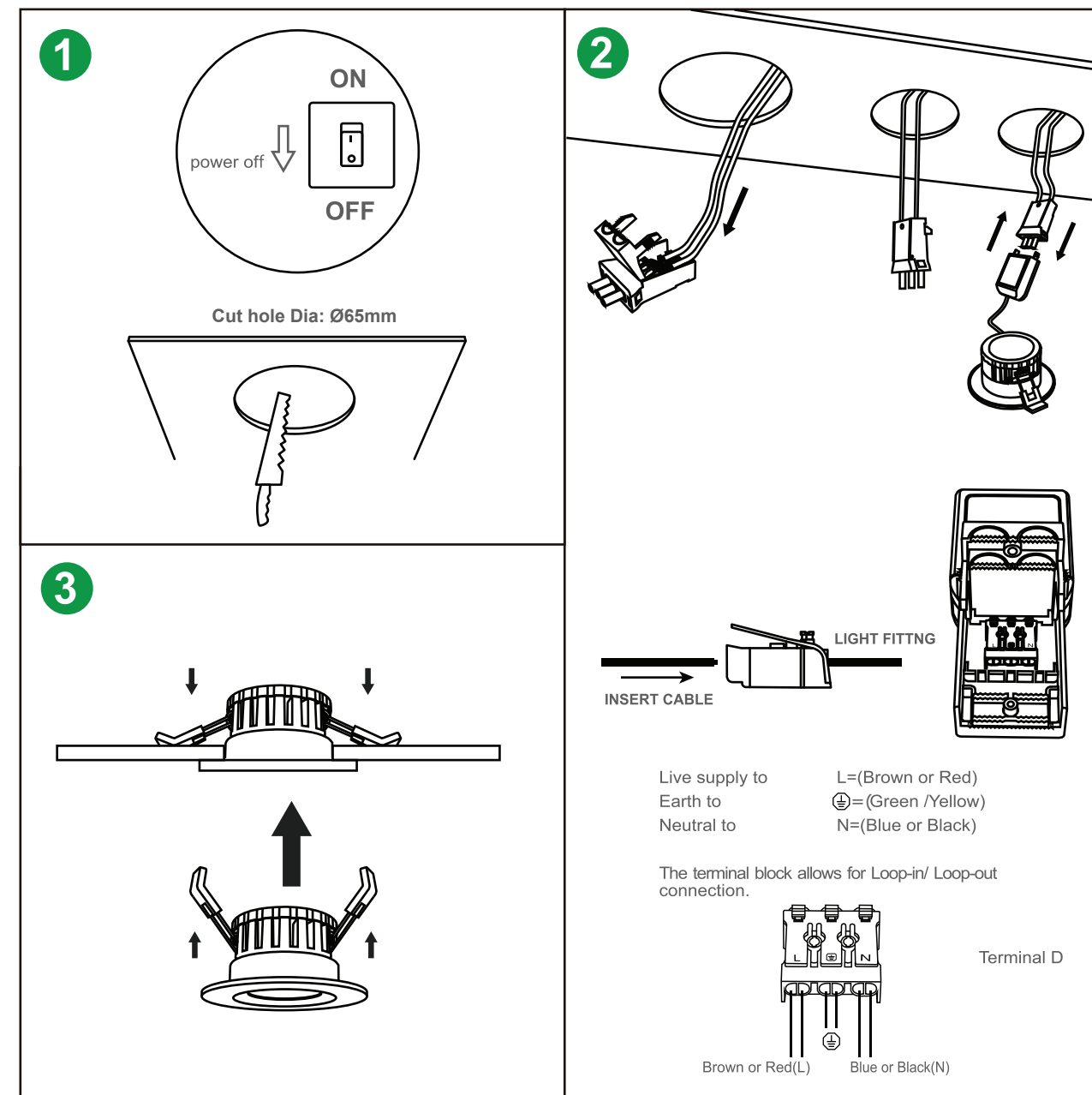


This marking indicates that this product should not be disposed of with other household wastes.



Caution, risk of electric shock.

INSTALLATION INSTRUCTION



INSTALLATION INSTRUCTION

1. Switch off the power before starting the installation.
2. Cut a hole as per the cutout 70mm (Ref to Fig1)
3. Make the electrical connections to the terminal block. (Ref to Fig2)
4. Holding the spring clips on the side of the fitting, insert the fitting into the hole and allow the spring to pull the fitting into the ceiling. (Ref to Fig3)
5. Switch on the power and test if the light is working properly

IN CASE OF ANY QUERY/ISSUE WITH THE PRODUCT PLEASE REACH OUT TO US AT
SUPPORT@VTACEXPORTS.COM V-TAC HOUSE, KELPATRICK ROAD, SLOUGH, BERKSHIRE, SL1 6BW, UK.