



Meaningful Innovation.

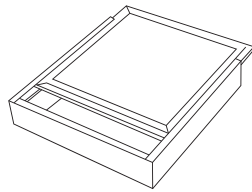
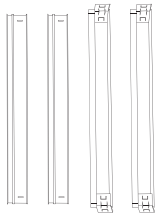
WEEE Number: 80133970

# INSTRUCTION MANUAL

## SURFACE FRAME FOR BACKLIT PANEL

### TECHNICAL DATA

SKU	10230, 10231
HEIGHT	6.3cm
DIMENSION	600x600 mm



**05** YEAR  
WARRANTY\*

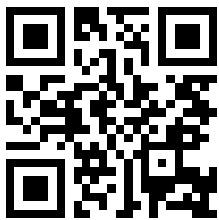
**COMPATIBLE**  
V-TAC BACKLIT PANELS

### INTRODUCTION & WARRANTY

Thank you for selecting and buying V-TAC product. V-TAC will serve you the best. Please read these instructions carefully before starting the installation and keep this manual handy for future reference. If you have any another query, please contact our dealer or local vendor from whom you have purchased the product. They are trained and ready to serve you at the best. The warranty is valid for 5 years from the date of purchase. The warranty does not apply to damage caused by incorrect installation or abnormal wear and tear. The company gives no warranty against damage to any surface due to incorrect removal and installation of the product. This product is warranted for manufacturing defects only.

### WARNING

1. Please make sure to turn off the power before starting the installation.
2. Installation must be performed by a qualified electrician.



**MULTI-LANGUAGE  
MANUAL QR CODE**  
Please scan the QR code  
to access the manual in  
multiple languages.



This marking indicates that this product should not be disposed of with other household wastes.

RoHS

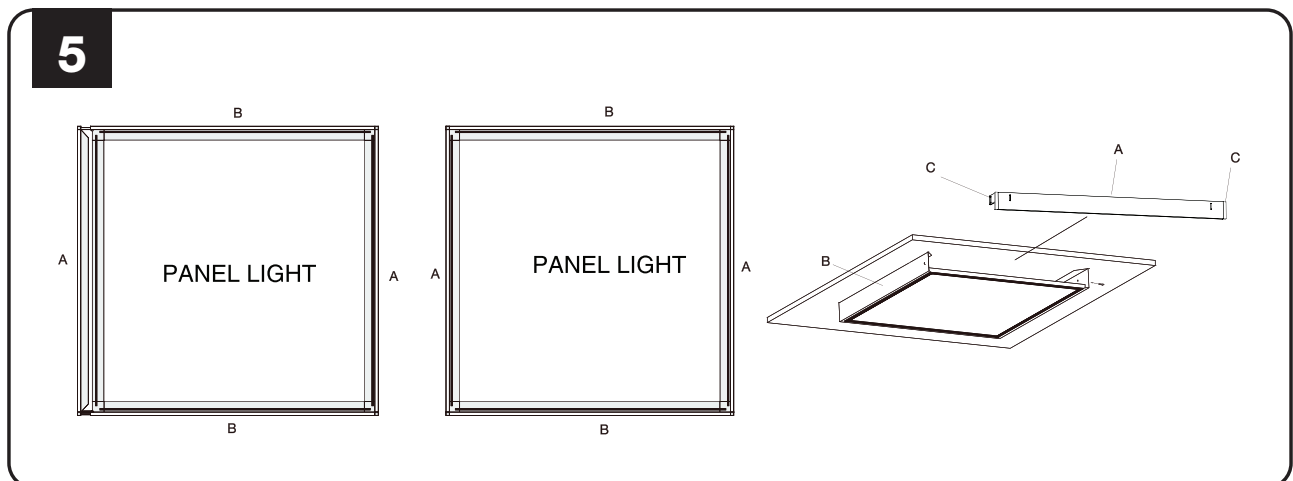
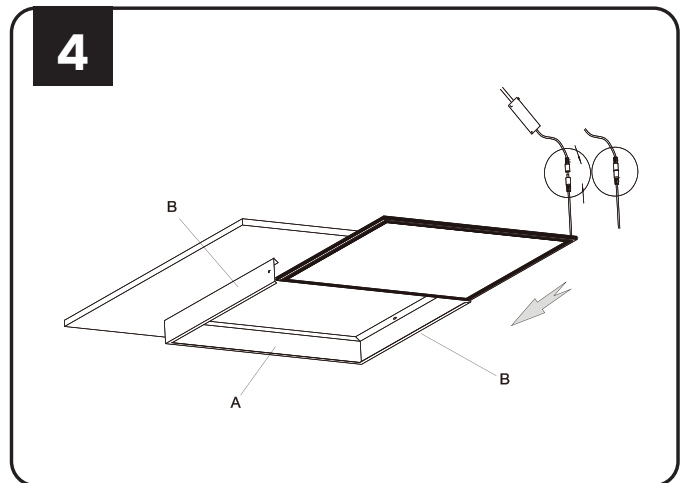
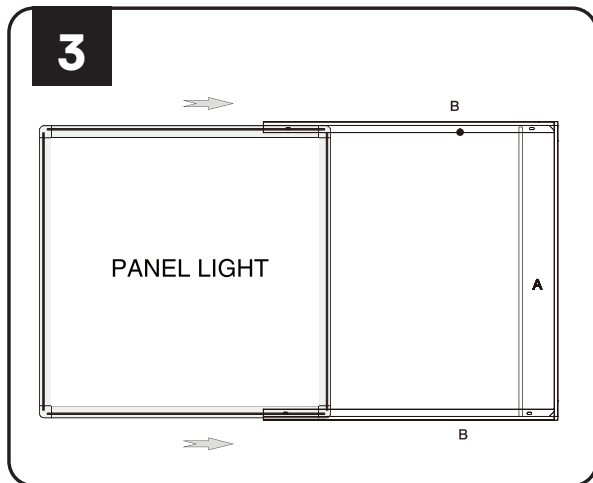
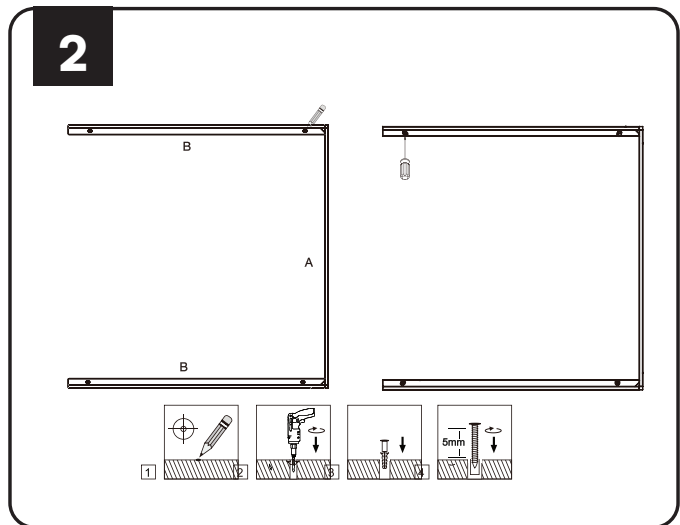
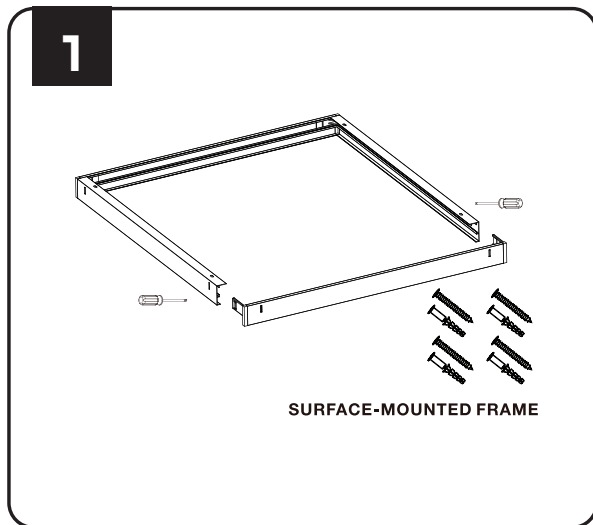


UK  
CA



In case of any query/issue with the product, please reach out to us at: [support@v-tac.eu](mailto:support@v-tac.eu)  
For More products range, inquiry please contact our distributor or nearest dealers.  
V-TAC EUROPE LTD. Bulgaria, Plovdiv 4000, bul.L.Karavelow 9B

## INSTALLATION DIAGRAM



## INSTALLATION INSTRUCTIONS

- Assemble the surface-mounted frame with the provided screws.
- Mark and drill a hole on the ceiling (Fixture not included), then fasten the assembled frame to the ceiling.
- Place and secure the panel light into the mounted frame.
- Connect the panel light's wires as per the wiring diagram.
- Fix the remaining frame C part on the opposite side of A part.