

TECHNICAL DATASHEET

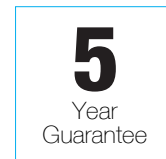
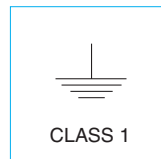
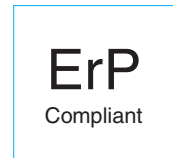
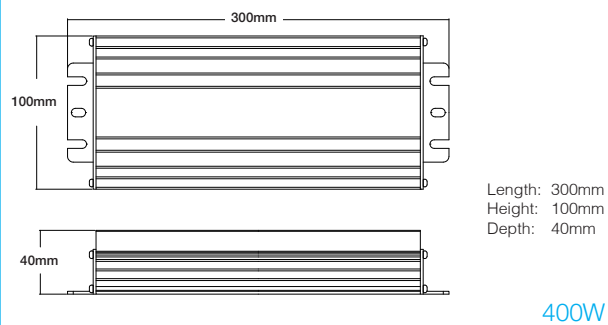
ADRCV24SL/400IP
400W IP67 Slimline 24V
Constant Voltage LED Driver



PRODUCT FEATURES

- Slimline Design
- Fully Enclosed Extruded Aluminium Housing
- Four Integrated Protection Modes
- IP67 Rated
- Tough Rubber Cables

DIMENSIONS



Product Code	ADRCV24SL/400IP
Input Voltage	100-240VAC
Input Frequency	50-60Hz
Power Factor	PF ≥ 0.9
Output DC Voltage	24V
Output Current	8.3A
Rated Power	400W
Ingress Protection Rating	IP67
Operating Temperature	-25~+48° C
Output Type	Constant Voltage