



P22-1



PROFILE TYPE

architectural

WIDTH OF LED TAPE

up to 3x8 mm
up to 2x12 mm

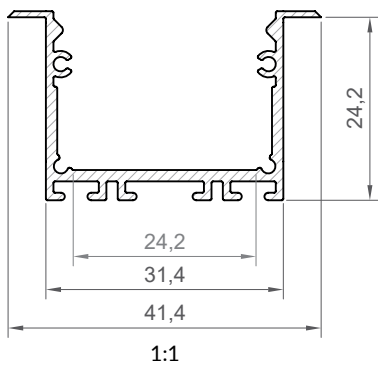
VERSIONS

silver anodised
painted in white
painted in black
anthracite grey
raw aluminium
others - on demand

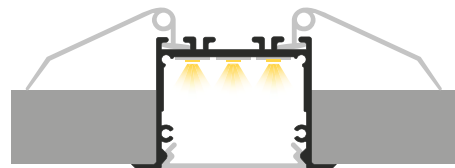
LENGTH

1000 mm
2000 mm
3000 mm
4000-6000 mm
(on demand)

TECHNICAL DRAWING WITH DIMENSIONS

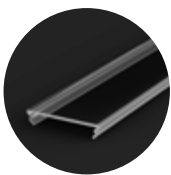


INSTALLATION INSTRUCTIONS



ACCESSORIES

DIFFUSERS (CLICK-IN TYPE)



C7 transparent



C7 opal



C7 black&white

END CAPS



aluminium end caps P22-1+C7 screwed in (without hole)

OTHER ACCESSORIES



surface extension profile



mounting spring



angle connector 120°



angle connector 90°



straight connector



corner transverse connector

P22-1

