

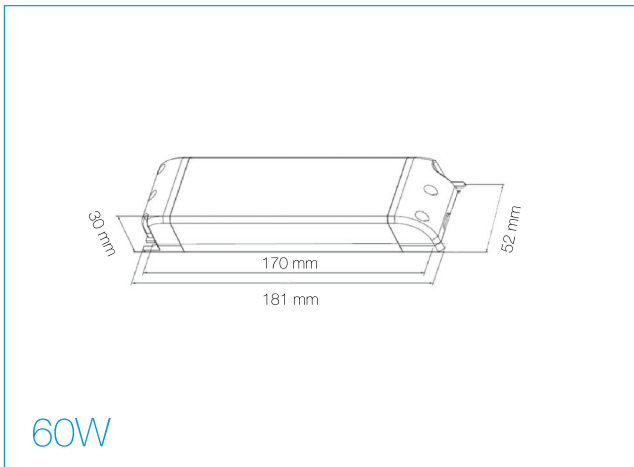
TECHNICAL DATASHEET

ADRCV1260
60W 12V DC CONSTANT VOLTAGE



PRODUCT FEATURES

- Constant Voltage LED Power Supply
- Moulded Polycarbonate Body
- Overload Protection
- Regulated Output
- Thermal Cutout
- SELV Rated



| | | | |
|--|--|--|--|
| | | | |
| | | | |

| | |
|-----------------------|--------------|
| PRODUCT CODE | ADRCV1260 |
| Operating Voltage | 220-240 V AC |
| Output Voltage | 12V DC |
| Operating Load | 0-60W |
| Output Current (Max.) | 5A |
| Temperature | -15~+45°C |