

ceilingmount (PIR)timer **energystandard**

ceilingmount (PIR)timer fitting and operating instructions

setup instructions for the **ceilingmount (PIR)timer**

Product: 374B-1L Three wire

Rating at 240V ac

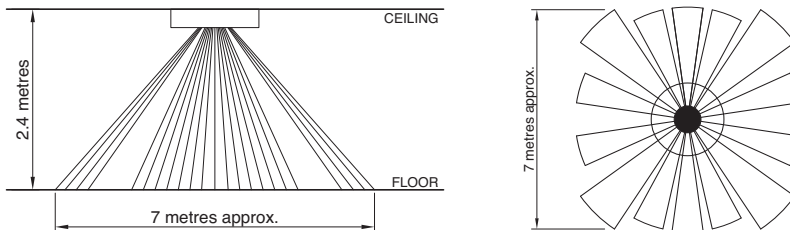
- All load types 10A
- Time Delay 2min - 1h

The ceilingmount (PIR)timer is part of the Elkay family of switches, timers and detectors which save energy and increase convenience in and around your home, garden or premises. For your convenience this product comes complete with chrome and white fascia.

If used with contactors or low wattage fittings a power factor correction capacitor minimum of 4 μ f / 4 microfarads may be required. These are available under our part reference PFCC-1. Where larger areas are to be covered please use additional PIRs connecting the live in terminals, live out terminals and neutral terminals.



Diagram 1



Installation Instructions for Single Use

IMPORTANT: Do not power up until instructed.

1. For flush mounting cut a 64mm hole to install into ceiling, attach cables and use cover cap and fixings supplied.
2. Select dip switch position for time delay required (See diagram 2).
3. Rotate lux level adjustment to the + for initialisation
4. Connect live in, switch live out and neutral connection.
5. Apply mains power to unit.
6. Adjust lux level to the desired setting. Please note the PIR should be carefully adjusted when considering ambient light levels.

7. The PIR will flash for 2-3 mins; this is the initialisation time and the product will not work until this is complete.

Operation instructions

1. Activation when body heat passes through the detection zones. (See diagram 1).
2. Re activation will return back to pre set time delay.
3. No detection within set time period the unit will repeatedly flash during the last minute of count down before switching off.

IMPORTANT NOTICE

All wiring should be carried out by a competent person or a qualified electrician and should be fitted to IET 17th Edition Wiring regulations BS 7671:2008.

Elkay

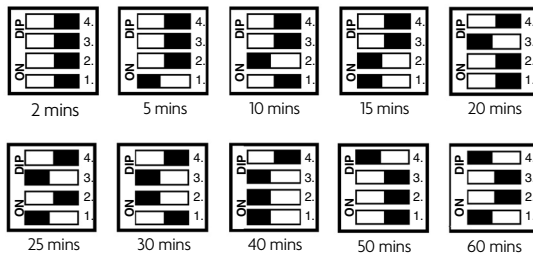
Call +44 (0) 1675 468222 or visit www.elkay.co.uk

ceilingmount (PIR)timer **energystandard**

ceilingmount (PIR)timer fitting and operating instructions

Diagram 2

Please note that the black bar denotes the position of the dip switch.



Positioning

USE THE DETECTION RANGE TO DETERMINE A SUITABLE LOCATION FOR THE SENSOR. WHEN LOCATING THE POSITION OF THE UNIT, ENSURE THE SENSOR IS NOT SUBJECTED TO BRIGHT SUNLIGHT. ENSURE THAT THE SENSOR IS NOT ADJACENT TO THE LOAD. DO NOT SITE THE UNIT ON A VIBRATING SURFACE OR NEAR FORCED AIR HEATING AND VENTILATION (See diagram 1).

Wiring Colours into PIR

Brown - Live or Active
Black - Live Out or Switch Live
Grey - Neutral
Green/Yellow - Earth/Ground

Earth is not connected into PIR as no earth is required in the PIR. Earth must be connected into system at the other end to protect cable and circuit.

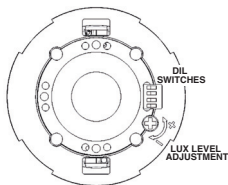
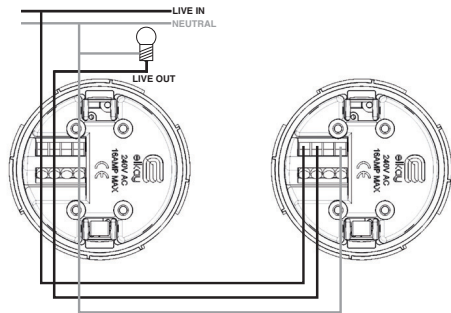


Diagram 3

Wiring diagram for wiring multiple devices together.



When connecting additional devices together see Diagram 3 and only utilise Live In, Live Out (Switch Live) and Neutral connections. For further wiring diagrams and more information on our products please visit our website on www.elkay.co.uk

IMPORTANT NOTICE

All wiring should be carried out by a competent person or a qualified electrician and should be fitted to IET 17th Edition Wiring regulations BS 7671:2008.

TECHNICAL HELPLINE

For further help or assistance or information on this or other products in the range please call the Elkay Technical team on 01675 468222. Please call the Technical helpline before returning any products to your stockist.

Elkay Electrical, Coleshill, Birmingham, England.
Tel: +44 (0) 1675 468222 www.elkay.co.uk

Patent Pending Inst Ref No RPM 305 Rev No 07/09