

BDHTM

BROOK DESIGN
HARDWARE LTD

ElkayTM
Energy Saving Switches & Controls

The Elkay Range

The Elkay logo is displayed in white on a teal background. It features the word "Elkay" in a bold, sans-serif font, with a horizontal line underneath the letters "k" and "y".The BDH logo consists of the letters "BDH" in a bold, sans-serif font. The "B" and "H" are dark grey, while the "D" is teal. A small "TM" trademark symbol is positioned above the "H".

BROOK DESIGN
HARDWARE LTD

The logo for PROBUD PROJEKTY features a stylized icon of a building or structure above the text "PROBUD" in a bold, sans-serif font, with "PROJEKTY" in a smaller font below it.

BROOKVENT
UK

BROOKVENT
IRELAND

BROOKVENT
POLSKA

BROOKVENT
HUNGARY

BROOKVENT
RUSSIA

The Elkay logo is shown in teal, with the tagline "Energy Saving Switches & Controls" in a smaller font below it.

Our focus is Energy saving products for the global market

Energy Illuminated range

- Illuminated with Strong Aesthetic Look
- 16A Switching Capability
- Premium Product
- Push Touch PIR & Microwave
- 6-year warranty



Energy Outdoor range

- Outdoor IP66 rated
- Two Wire and Three wire 16A & 10A
- 6-year warranty



Energy Standard Range

- Standard Switch Look and Feel
- 10A Switching Capability
- Basic Product
- Push, PIR & Ceiling PIRs
- 3-year warranty



Energy Style range

- Brushed Stainless Steel
- Three wire 16A
- 6-year warranty



easyDALi

- Low-Cost entry-level DALI control
- Ingenious Dual remote Control
- Self Addressing System



Accessories

- Capacitor, Surface Mount Box & Spacer Plate
- Columbus Shroud



Elkay

ELKAY Energy Illuminated Timers

BROOKVENTTM

Mission Statement

'To provide cost effective energy saving solutions simply by controlling the time period that an electrical load or appliance is switched on with aesthetic style and illumination at the switch.'

Key Fact

Our products save energy from the day they are installed and have a very low payback often in just a few months.



Energy Illuminated range

- Illuminated with Strong Aesthetic Look
- 16A Switching Capability
- Premium Product
- Push Touch PIR & Microwave
- 6-year warranty



Energy Standard Range

- Standard Switch Look and Feel
- 10A Switching Capability
- Basic Product
- Push, PIR & Ceiling PIRs
- 3-year warranty



easyDALi

- Low-Cost entry-level DALI control
- Ingenious Dual remote Control
- Self Addressing System



Energy Outdoor range

- Outdoor IP66 rated
- Two Wire and Three wire 16A & 10A
- 6-year warranty



Energy Style range

- Brushed Stainless Steel
- Three wire 16A
- 6-year warranty



Accessories

- Capacitor, Surface Mount Box & Spacer Plate
- Columbus Shroud



Products in the Illuminated range

Elkay

Energy Illuminated Timers
Indoor range

BROOKVENTTM

Illuminated Push Button Timers

Elkay 350A-1 and 3875A-1 Masters

2W = 2 wire - No Neutral

3W = 3 wire - Neutral Required

3 wire with Neutral is always preferable

Capacitor required on low wattage, low voltage loads and always required with 2 wire.

Must be connected to an activator **350A-3 for multiple switching**

2 minutes to 2 hours timing set by dipswitches

16A all load types

Clean aesthetic design



2 Wire Master



3 Wire Master



Activator

Common Uses

Elkay 350A-1, 3875A-1 and 350A-3 Activator

2 wire used for Lighting applications only

3 wire for everything else. All electrical loads.

Common uses for 3 wire Push Button Timers

- Towel rails
- Air Conditioning Units
- Lighting
- Heaters- Infra red or Convection



2 Wire Master



3 Wire Master



Activator

Illuminated Touch Timers

Elkay 360A-1 and 2235A-1 Masters

2W = 2 wire - No Neutral

3W = 3 wire - Neutral Required

3 wire with Neutral is always preferable

Capacitor required on low wattage, low voltage loads and always required with 2 wire.

Must be connected to an activator [360A-3 for multiple switching](#)

2 minutes to 2 hours timing set by dipswitches

16A all load types

Clean aesthetic design



Common Uses

Elkay 360A-1, 2235A-1 and 360A-3 Activator

2 wire used for Lighting applications only

3 wire for everything else. All electrical loads.

Common uses for 3 wire Push Button Timers

- Towel rails
- Air Conditioning Units
- Lighting
- Heaters- Infra red or Convection



Illuminated PIR Timers

Elkay 376A-1 and 370A-1 Masters

2W = 2 wire - No Neutral

3W = 3 wire - Neutral Required

3 wire with Neutral is always preferable

Capacitor required on low wattage, low voltage loads and always required with 2 wire.

Must be connected to an activator [376A-3 for multiple switching](#)

2 minutes to 2 hours timing set by dipswitches

16A all load types

Clean aesthetic design

Lux setting by pot

180° view



Common Uses

Elkay 376A-1, 370A-1 and 360A-3 Slave

2 wire used for Lighting applications only

3 wire for everything else. All electrical loads.

Common uses for 3 wire Push Button Timers

- Air Conditioning Units
- Lighting
- Ventilation



Microwave Sensor

Elkay 380A-1 Microwave Sensor

3 wire with Neutral only.

Capacitor required on low wattage, low voltage loads and always with a contactor relay

Can cover from 15 to 30 metres range

2 minutes to 2 hours timing set by dipswitches

16A all load types

Clean aesthetic design

Lux and Sensitivity setting

Lowest priced Microwave Sensor in the UK





BROOK DESIGN
HARDWARE LTD

Common Uses

Elkay 380A-1 Microwave Sensor

School and College Classrooms

Communal areas

Sports Halls and Gymnasiums

Warehouses and long corridors

Reception areas

High Bay applications

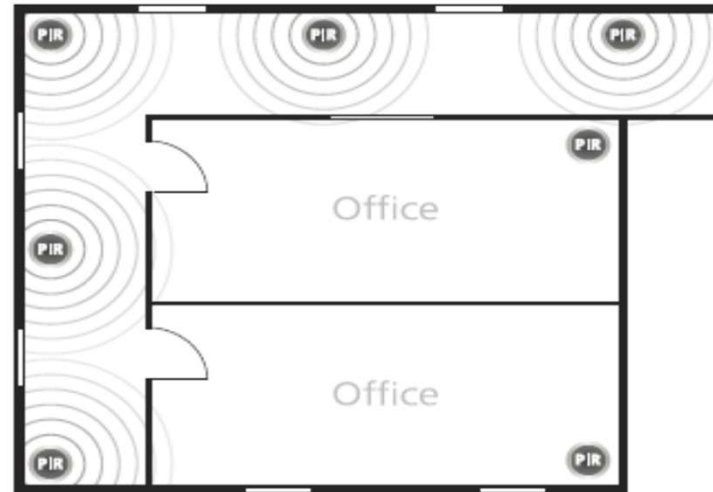


Elkay

BDHTM

BROOK DESIGN
HARDWARE LTD

When using PIRs in long corridors or spaces, there is often a need to position them every 6 to 8 metres. This incurs additional cabling, labour and connection costs at install. Maintenance costs over time are also increased from a PPM perspective as there are more devices to check and maintain.



With the Elkay Microwave detector 380A-1 mounted on the wall only one device is needed to cover areas up to 30 metres with lateral cover provided for up to 8 metres which increases overall flexibility. Microwave Detectors reduce cabling, connection, labour and future PPM costs simply because fewer detectors are needed. They can be mounted from 1.2 to 2.5m in height and should be wall mounted for best effect. They can also be used in hi bay lamps that are PL types or hot re strike luminaires.



Elkay

Energy Illuminated Timers
Outdoor range

BROOKVENTTM

Outdoor Illuminated Push Button Timer

Elkay 550A-1

3 wire with Neutral only.

IP66 rated

The back box is supplied and MUST be used.

2 minutes to 2 hours timing set by dipswitches

16A all load types

Clean aesthetic design



Common Uses

Elkay 550A-1

Outdoor Patio Heaters 3 wire
Outdoor Lighting 3 wire

Common uses for 3 wire Outdoor Push Button Timers

- Lighting
- Driveway Lighting
- Smoking Shelters
- Heaters- Infra red or Convection
- Pond Pumps



The Elkay logo is displayed in white on a teal background. The word "Elkay" is in a bold, sans-serif font, with a horizontal line underneath the letters "k" and "y".The BDH logo features the letters "BDH" in a bold, sans-serif font. The "B" and "H" are dark grey, while the "D" is teal. A small "TM" trademark symbol is positioned to the upper right of the "H".

BROOK DESIGN
HARDWARE LTD

Outdoor Illuminated Touch Timer

Elkay 560A-1

3 wire with Neutral only.

IP66 rated

The back box is supplied and MUST be used.

2 minutes to 2 hours timing set by dipswitches

16A all load types

Clean aesthetic design



Common Uses

Elkay 560A-1

Outdoor Patio Heaters 3 wire
Outdoor Lighting 3 wire

Common uses for 3 wire Outdoor Touch Timers

- Lighting
- Driveway Lighting
- Smoking Shelters
- Heaters- Infra red or Convection
- Pond Pumps



Outdoor Illuminated PIR Timer

Elkay 570A-1

3 wire with Neutral only.

IP66 rated

The back box is supplied and MUST be used.

2 minutes to 2 hours timing set by dipswitches

16A all load types

Clean aesthetic design

180° view



Common Uses

Elkay 570A-1

Outdoor Lighting 3 wire

Common uses for 3 wire Outdoor PIR Timers

- Lighting
- Driveway Lighting
- Pond Pumps
- Heating (provided PIR is not too close to infra red heat of the heater)



Elkay

Elkay Energy Illuminated Timers
Style Range

BROOKVENTTM

The Elkay logo is displayed in white on a teal background. The word "Elkay" is written in a bold, sans-serif font, with a horizontal line underneath the letters "k" and "y".The BDH logo features the letters "BDH" in a bold, sans-serif font. The "B" and "H" are dark grey, while the "D" is teal. A small "TM" trademark symbol is positioned to the upper right of the "H".

BROOK DESIGN
HARDWARE LTD

Style Illuminated Timers

Elkay 750A-2 Push

Elkay 760A-2 Touch

Elkay 770A-2 PIR

3 wire with Neutral only.

2 minutes to 2 hours timing set by dipswitches

16A all load types

Clean architectural and modern aesthetic design

180° view

Suitable for use in modern settings or where a touch of class or refinement is required.

6 year warranty



Elkay

ELKAY Standard Timers

BROOKVENTTM

Illuminated range

- Illuminated with Strong Aesthetic Look
- 16A Switching Capability
- Premium Product
- Push Touch PIR & Microwave
- 6-year warranty



Energy Outdoor

- Outdoor IP66 rated
- Two Wire and Three wire 16A & 10A
- 6-year warranty



Standard Range

- Standard Switch Look and Feel
- 10A Switching Capability
- Basic Product
- Push, PIR & Ceiling PIRs
- 3-year warranty



Energy Style

- Brushed Stainless Steel
- Three wire 16A
- 6-year warranty



easyDALi

- Low-Cost entry-level DALI control
- Ingenious Dual remote Control
- Self Addressing System



Accessories

- Capacitor, Surface Mount Box & Spacer Plate
- Columbus Shroud



Products in the Standard Range

Mission Statement

'To provide cost effective energy saving solutions simply by controlling the time period that an electrical load or appliance is switched on'.

Key Fact

Our products save energy from the day they are installed and have a very low payback often in just a few months.





BROOK DESIGN
HARDWARE LTD

Columbus Pneumatic Timer

Elkay 400A and 400A-3

3 connections - COMMON, N/O, N/C

Can be used to energize or de-energize a load

Strong Brand recognition

No neutral terminal

Easy instructions

5 seconds to 5 minutes timing

3A maximum on Fluorescent and CFL (6 fittings maximum)

6A on Resistive and Incandescent loads

columbus®



400A Single Contacts



400A-3 Double Contacts



BROOK DESIGN
HARDWARE LTD

columbus®



400A Single Contacts



400A-3 Double Contacts

Common Uses

Elkay Columbus Pneumatic Timer 400A

Most popularly used for Communal areas, Stairwells, Corridors and Store cupboards.

Lighting by energizing

Electronic Doors by de-energizing

The Elkay logo is displayed in white text on a teal background. The word "Elkay" is written in a bold, sans-serif font, with a horizontal line underneath the letters "k" and "y".The BDH logo features the letters "BDH" in a bold, sans-serif font. The "B" and "H" are dark grey, while the "D" is teal. A small "TM" trademark symbol is positioned to the upper right of the "H".

BROOK DESIGN
HARDWARE LTD

columbus®

Columbus Electronic Timer

Elkay Columbus Electronic Timer 400NE

Easy Loop in and Out 2 wire Terminals

No neutral terminal

Easy instructions

20 seconds to 25 minutes timing

5A maximum on new version

The first 2 wire electronic switch that can switch a contactor or relay

Vandal resistant



Elkay

BDHTM

BROOK DESIGN
HARDWARE LTD

columbus[®]

Common Uses

Elkay Electronic Timer 400E

Most popularly used for

- Communal areas
- Stairwells
- Corridors
- Store cupboards

Very popular in Elderly Residential Homes



Standard Push Button Timers

Elkay 350B-1 and 3875B-1

2 wire - No Neutral

3 wire - Neutral Required

3 wire with Neutral is always preferable

Capacitor required on low wattage, low voltage loads and always required with 2 wire.

2 minutes to 1 hour timing set by dipswitches

10A all load types

Clean aesthetic design

Can be wired together in multiples



Common Uses

Elkay 350A-1, 3875A-1 and 350A-3 Slave

2 wire used for Lighting applications only

3 wire for everything else. All electrical loads.

Common uses for Standard Push Button Timers

- Towel rails
- Air Conditioning Units
- Lighting
- Heaters- Infra red or Convection
- En-suite lighting or fan control



Illuminated PIR Timers

Elkay 376B-1 and 370B-1

2 wire - No Neutral

3 wire - Neutral Required

3 wire with Neutral is always preferable

Capacitor required on low wattage, low voltage loads and always required with 2 wire.

2 minutes to 1 hour timing set by dipswitches

10A all load types

Clean aesthetic design

Lux setting by pot

180° view

Can be wired together in multiples



Common Uses

Elkay 376B-1 and 370B-1

2 wire used for Lighting applications only

3 wire for everything else.

Common uses for 3 wire Push Button Timers

- En suite Lighting (Bedrooms)
- Lighting
- Fans



Elkay

ELKAY Outdoor Illuminated Timers

BROOKVENTTM

Outdoor Standard Push Button Timer

Elkay 550B-3 and 550B-1

2 wire with no neutral

3 wire with Neutral only.

IP66 rated

The back box is supplied and MUST be used.

2 minutes to 1 hour timing set by dipswitches

10A all load types

Clean aesthetic design

Can be wired together in multiples



Common Uses

Elkay 550B-3 and 550B-1

Outdoor Patio Heaters 3 wire

Outdoor Lighting 2 wire

Common uses for 3 wire Outdoor Push Button Timers

- Lighting
- Driveway Lighting
- Smoking Shelters
- Heaters- Infra red or Convection
- Pond Pumps



Elkay

ELKAY Ceiling Mount Occupancy Sensors (PIRs)

BROOKVENTTM

Ceiling Mounted PIR Timers

Elkay 374B-1 Ceiling Mount PIR

Key Features

- Sensitivity Pot to allow adjustment of range and sensitivity
- Test Mode 10 seconds to speed up installation
- Auto Lux and Manual Lux setting to also speed up installation and increase Lux options for installer and end user
- Instructions including a troubleshooting guide
- 10A switching
- 2 minutes to 1 hour timing
- Chrome/White and Surface Mounting Options
- 7m to 10m range
- 360°





BROOK DESIGN
HARDWARE LTD

Common Uses

Elkay Ceiling Mount PIR 374B-1

Opportunities are everywhere.

Schools, Colleges, Universities, Supermarkets, Shops,
Restaurants Hotels....etc

Communal areas, Corridors, Stairwells , Toilets, Rest areas,
Staffrooms, Offices.....etc

IN FACT

ANY room in **ANY** type of building



Flush Mounted PIR Timers

Elkay 374C-1 Flush Mount PIR

Key Features

- Instructions including a troubleshooting guide
- 6A switching
- 30 seconds to 30 minutes timing
- White flush Mount Only
- 7m to 10m range
- 360°



The Elkay logo is displayed in white text on a teal background. The word "Elkay" is written in a bold, sans-serif font, with a horizontal line underneath the letters "k" and "y".The BDH logo features the letters "BDH" in a bold, sans-serif font. The "B" and "H" are dark grey, while the "D" is teal. A small "TM" trademark symbol is positioned to the upper right of the "H".

BROOK DESIGN
HARDWARE LTD

Common Uses

Elkay Ceiling Mount PIR 374C-1

Opportunities are everywhere.

Schools, Colleges, Universities, Supermarkets, Shops,
Restaurants Hotels....etc

Communal areas, Corridors, Stairwells , Toilets, Rest areas,
Staffrooms, Offices.....etc

IN FACT

ANY room in **ANY** type of building

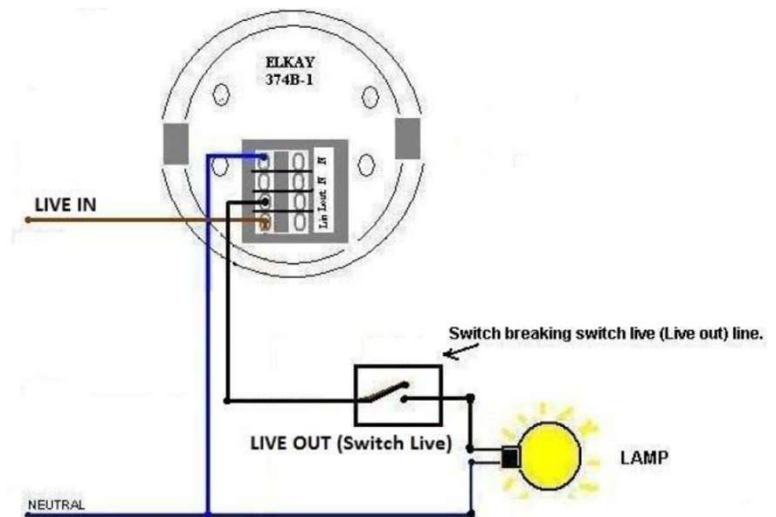


Presence and Absence Detection

Elkay 374B-1 and 374C-1

In one product we can do both presence and absence and we can set lux levels to only work at dusk and night time hours increasing energy savings.

We utilise an ordinary wall switch and break only the switch live line from the detector to the load to create an absence control



Elkay

Elkay Unique Selling Points

BROOKVENTTM

Unique Selling Point 1

All load types can be switched without derating for types of load

Our electronic products have zero point switching and sophisticated programming software embedded in the device. This software means that we can switch at 6A, 10A or 16A for any load type and no adjustment or derating for different types of loads is required.

This makes life easier for the wholesalers as they can recommend product without having advise their customer to de-rate. For the installer they can fit and forget the product and for the end user if they change their electrical load type they know that this will not affect the product.

They only need to check that they do not exceed the maximum amperes for that specific product.

This is unique to Elkay and no competitor can offer all load type ratings at the same amps level.



Unique Selling Point 2 Six year warranty- Market Leading

Our warranty is **6 years** from date of manufacture for our electronic products in our premium range which gives true fit and forget peace of mind for an installer.

It also means that wholesalers are not tied up in debit notes or replacement products and dealing with unhappy customers returning product.

Consultants and Specifiers can specify without having any concerns about their reliability and know that the product can be handed over on a project.

For many of our basic range of products we offer 6 years and for our mechanical products we offer 3 years manufacturers warranty.

Nearest competitors are 5 years maximum.



Unique Selling Point 3 Our Ceiling Mount PIRS can be adjusted in situ

Our ceiling mount PIRs are unique in that they do not have to be taken down to make adjustments to the lux, sensitivity and the timing settings. These can all be accessed in situ.

By doing this it means the ceiling plasterboard or ceiling tile does not get repeatedly damaged when adjustments are made unlike all other competitor products. When these items are taken down the ceiling is damaged, made dirty with fingerprints and creates dust and mess around the area where they are sited.

In addition we have two price points for the products to meet the needs of their customer.



Unique Selling Point 4 Agility

We are now more agile than our competitors with the ability to react faster and add new products to the portfolio more quickly through

- Development of existing ranges
- Addition of new designs we manufacture
- Addition of buy in solutions with our key partners in Europe.



Unique Selling Point 5 Illumination with aesthetic style

We were the first to create PCB Illuminated locator rings and indication LEDs on our products and we still have kept with our original designs.

In addition we have added back our Style range of Brushed Stainless Steel in Push, Touch and PIR options for wall switch mounting.



Unique Selling Point 6 Products for the COVID age (Touch Free)

We are ready to help businesses and communal residential locations change from switches that need physical contact to PIRs and Microwaves that control the load without any need to be touched. As a specialist in time delayed occupancy sensors we are best positioned to do this.



Elkay

Accessories

BROOKVENTTM

Illuminated range

- Illuminated with Strong Aesthetic Look
- 16A Switching Capability
- Premium Product
- Push Touch PIR & Microwave
- 6-year warranty



Energy Outdoor

- Outdoor IP66 rated
- Two Wire and Three wire 16A & 10A
- 6-year warranty



Standard Range

- Standard Switch Look and Feel
- 10A Switching Capability
- Basic Product
- Push, PIR & Ceiling PIRs
- 3-year warranty



Energy Style

- Brushed Stainless Steel
- Three wire 16A
- 6-year warranty



easyDALi

- Low-Cost entry-level DALI control
- Ingenious Dual remote Control
- Self Addressing System



Accessories

- Capacitor, Surface Mount Box & Spacer Plate
- Columbus Shroud



Accessories in the Elkay range

Elkay Capacitor

Elkay PFCC-1

Required for low wattage (<5W), low voltage, transformer type and LED loads and only needed with 2 wire products. Fitted across switch live and neutral at the load.

Why?

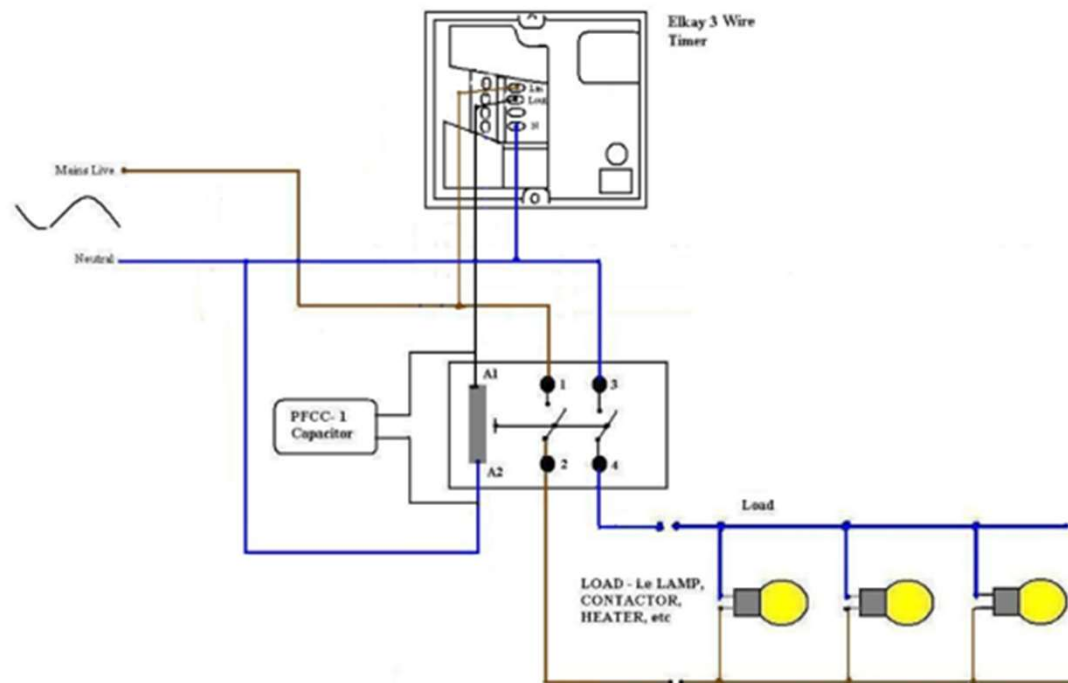
- Increases load seen by electronic switch
- Takes away any excess energy in the circuit.



Elkay Capacitor

Elkay PFCC-1 with Contactor relays

This is only used with contactors and we recommend 3 wire products and the Columbus Electronic timer and is fitted at A1 and A2 of the contactor to aid switching as the contactor coils are a very small load.



Elkay Back Box and Spacer Plate

Elkay 210A-1 and 220A-1

25 mm Back Box for customers who wish to order from one place for convenience.

Spacer plate to give 10mm more space when existing back boxes are too tight



Wall mount box



Wall spacer plate

Elkay Columbus Shroud

Elkay 163

A rubber protective cover secured by a metal ring for the 400A and 400A-3 Columbus Pneumatic Timer.



Elkay

Contacts and Catalogues

BROOKVENTTM

Elkay

BDHTM
BROOK DESIGN
HARDWARE LTD

Paul Onyett

General Manager Elkay
Sales Midlands West & North
Mobile 07527 404110
paulonyett@elkay.co.uk

Richard Wadsworth

Sales Manager London, Home Counties, South
East and Eastern
Mobile 07570 724375
richardwadsworth@elkay.co.uk

Dave Evans

Key Account Manager
Mobile 07711 004817
daveevans@elkay.co.uk

Steve Anderson

Elkay Technical Support
Mobile 07795 682045
steveanderson@elkay.co.uk

Orders

orders@brookvent.co.uk
Main Tel No (02890) 616505
Main Fax No (02890) 616518

www.elkay.co.uk





THANK YOU