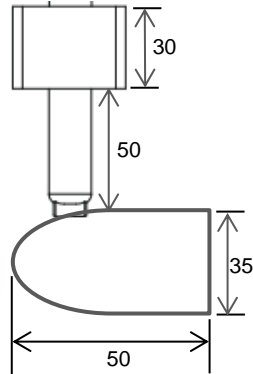


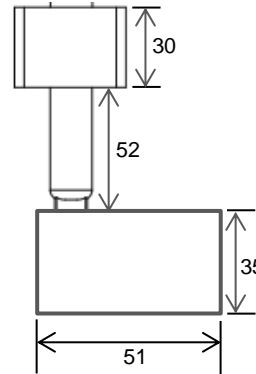
Data Specification Sheet



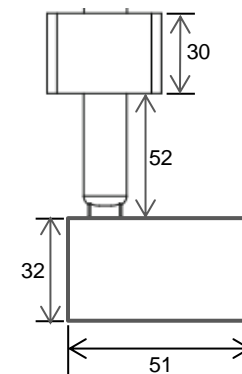
TRKSP3BC
TRKSP3W



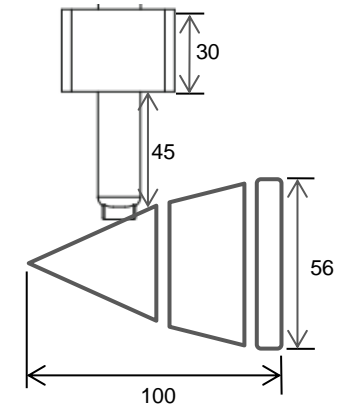
TRKSP2BC
TRKSP2W



TRKSP1BC
TRKSP1W



TRKSP4BC
TRKSP4W



TRKSP - 230v 50W GU10 Track Spotlight

ML Accessories Code	TRKSP1BC. TRKSP1W. TRKSP2BC. TRKSP2W. TRKSP3BC. TRKSP3W. TRKSP4W. TRKSP4BC
Description	230V GU10 Track Spotlight 50w compatible with TRK track
Base Finishes available	Brushed Chrome (BC). White (W)
Overall dimensions (mm)	See above diagram
Weight	0.17KG
Fixing	Track
Typical location	Indoor
Lamp Supplied	No
Voltage (V)	220-230V 50Hz
Max Wattage (W)	50W
Class	Class I. Must be Earthed
IP	IP20
Photometric Testing	No
Instruction sheet	Yes

Main materials:	
• Body	Mild Steel. (TRKSP4 – Die cast ALU)
• Reflector	N/A
• Bracket	Mild steel
Lamp holder cap and make	GU10 Kang Rong
Lamp type	50W GU10 230V or LED equivalent
Electrical Connections	Track
Dimmable	Yes
CE mark	Yes
Batch coding details	Yes
Certificate of Conformity	Yes
Manufactured in accordance	EN60598
Guarantee Period	2 Year
Origin of manufacture	China

ML Accessories Ltd. reserves the right to withdraw, improve or modify any design without prior notification.
ML Accessories Ltd. cannot be held responsible for the incorrect application of any product.