

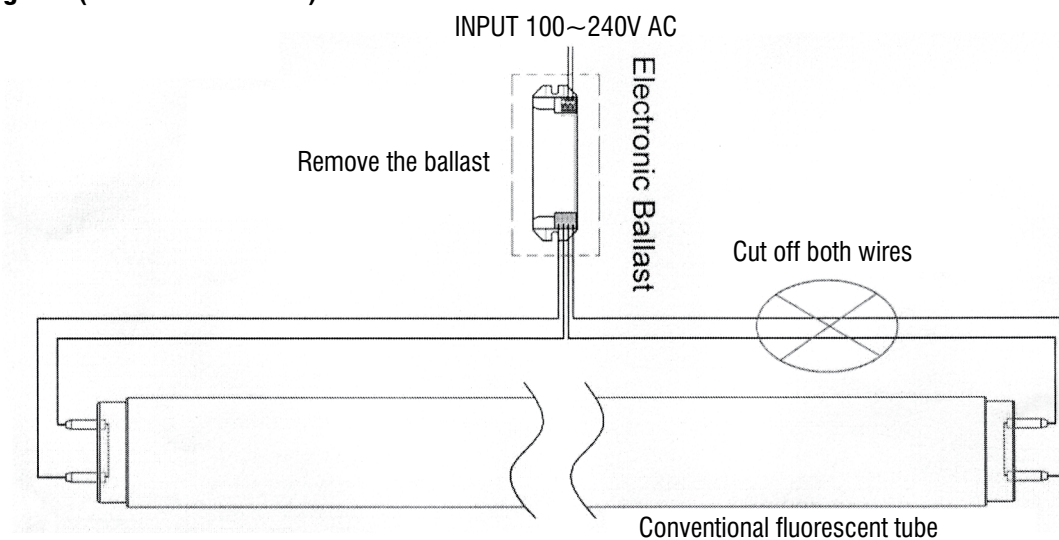
T8 LED FLUORESCENT TUBE

ELECTRONIC BALLAST: WITHOUT STARTER

1. Turn off main power before installation. For safety, ensure the main power source is switched off before attempting to install.
2. Remove electronic ballast and reconnect wires to AC input end (the end labeled 'AC Input').
WARNING - The end labeled 'AC Input' is AC input end. Wrong connection will burn out the tube.
3. Take out existing fluorescent light. Fit T8 tube into fluorescent fitting.
4. Switch on the main power.

Wiring Diagram (Electronic Ballast)

Before:



After:

